

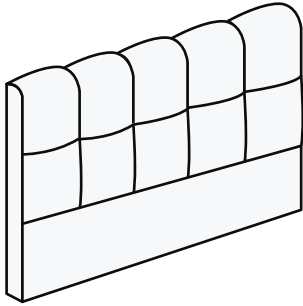
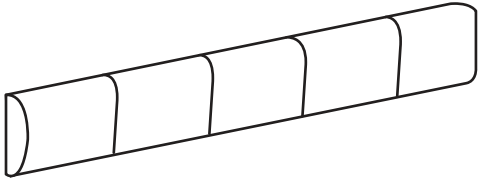
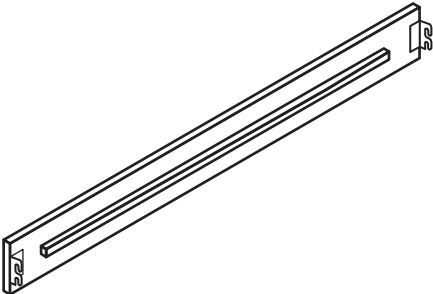
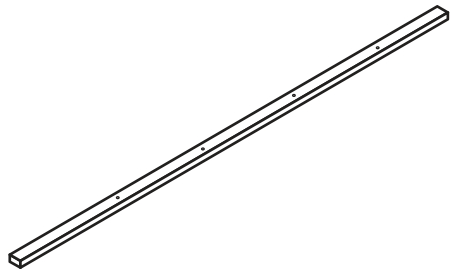
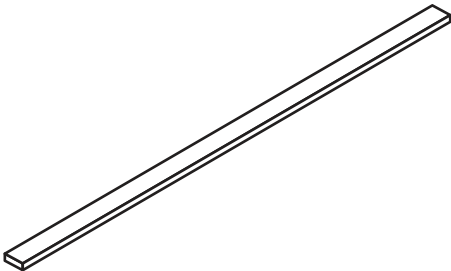

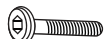








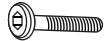
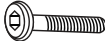
















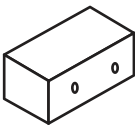
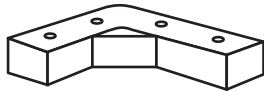
ITEM NAME/NOM D'ITEM: AMELIE FULL BED / QUEEN BED / KING BED

ITEM #/NO.ITEM: 800100 / 800101 / 800102

ITEM #/NO.ITEM: 800200 / 800201 / 800202

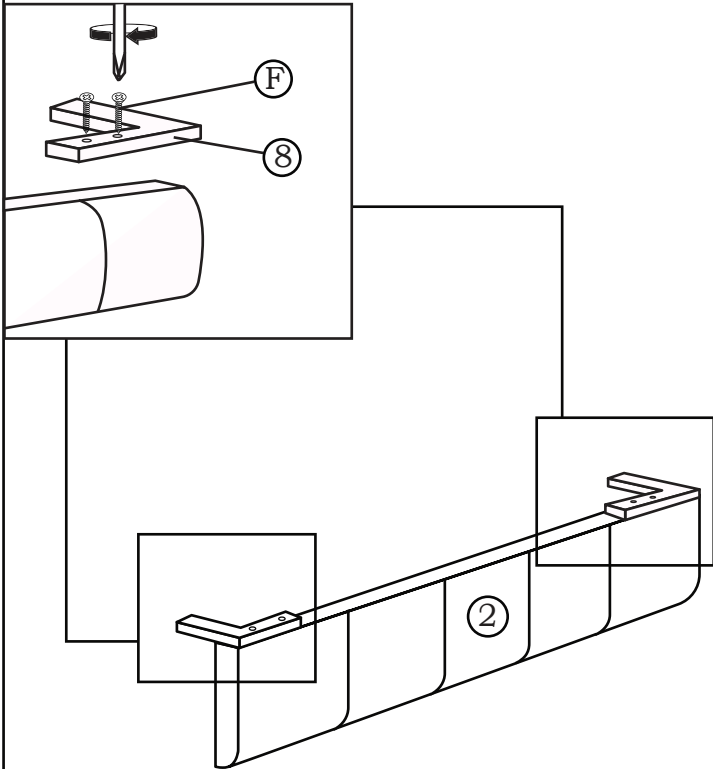
ITEM #/NO.ITEM: 800209 / 800210 / 800211

PARTS LIST/LISTE DES PIÈCES

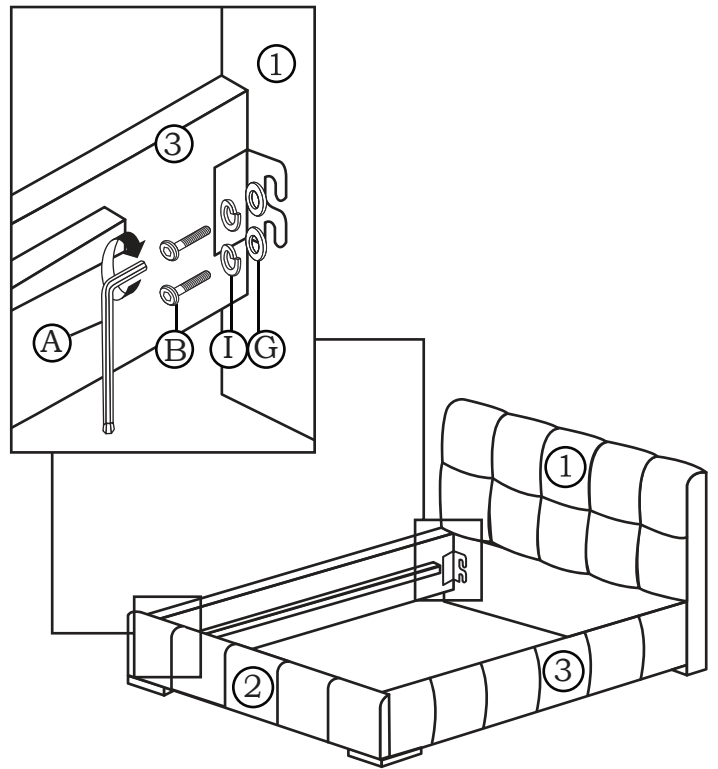
(1)		(2)																																					
 <p style="text-align: right;">X 1</p>		 <p style="text-align: right;">X 1</p>																																					
(3)		(4)																																					
 <p style="text-align: right;">X 2</p>		 <p style="text-align: right;">X 1</p>																																					
(5)		(9)																																					
 <p style="text-align: right;">X 13</p>		<table border="0"> <tr> <td>A .</td> <td></td> <td>4mm</td> <td>x1</td> </tr> <tr> <td>B .</td> <td></td> <td>M6 x 30mm</td> <td>x8</td> </tr> <tr> <td>C .</td> <td></td> <td>M6 x 40mm</td> <td>x4</td> </tr> <tr> <td>D .</td> <td></td> <td>M6 x 60mm</td> <td>x4</td> </tr> <tr> <td>E .</td> <td></td> <td>4 x 32mm</td> <td>x28</td> </tr> <tr> <td>F .</td> <td></td> <td>4 x 45mm</td> <td>x4</td> </tr> <tr> <td>G .</td> <td></td> <td>Ø6mm</td> <td>x8</td> </tr> <tr> <td>H .</td> <td></td> <td>M6 x 10mm</td> <td>x4</td> </tr> <tr> <td>I .</td> <td></td> <td>Ø6mm</td> <td>x8</td> </tr> </table>		A .		4mm	x1	B .		M6 x 30mm	x8	C .		M6 x 40mm	x4	D .		M6 x 60mm	x4	E .		4 x 32mm	x28	F .		4 x 45mm	x4	G .		Ø6mm	x8	H .		M6 x 10mm	x4	I .		Ø6mm	x8
A .		4mm	x1																																				
B .		M6 x 30mm	x8																																				
C .		M6 x 40mm	x4																																				
D .		M6 x 60mm	x4																																				
E .		4 x 32mm	x28																																				
F .		4 x 45mm	x4																																				
G .		Ø6mm	x8																																				
H .		M6 x 10mm	x4																																				
I .		Ø6mm	x8																																				
(6)	(7)	(8)																																					
 <p style="text-align: center;">X 4</p>	 <p style="text-align: center;">X 2</p>	 <p style="text-align: center;">X 2</p>																																					

ASSEMBLY INSTRUCTIONS/INSTRUCTIONS D'ASSEMBLAGE

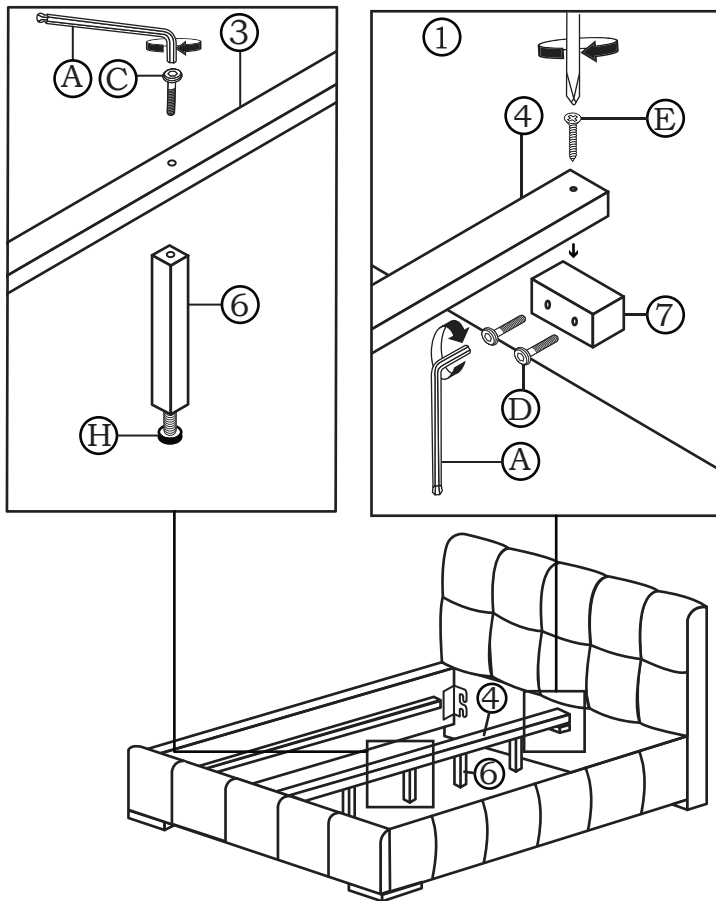
I



II



III



IV

