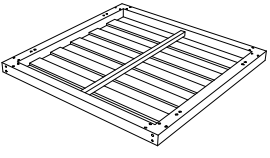
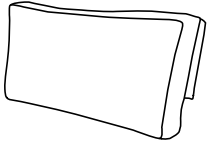
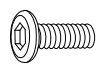
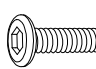
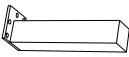
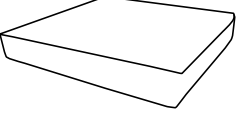


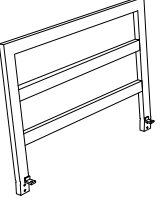
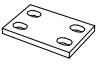



**ITEM NAME/NOM D'ITEM: SANTORINI ARMLESS CHAIR WHITE & GRAY  
/DARK GRAY & GRAY**

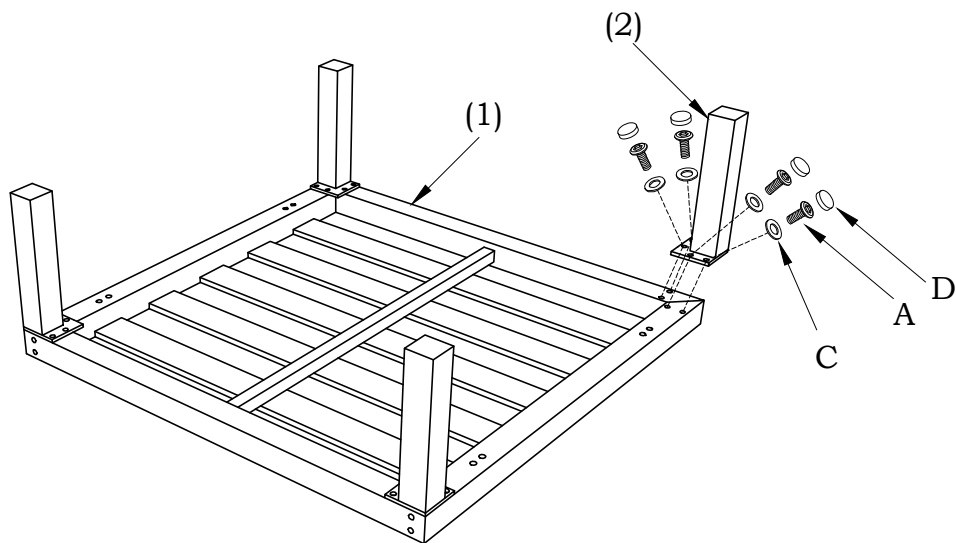
**ITEM# /NO.ITEM: 703895/703900**

**PARTS LIST/LISTE DES PIÈCES**

(1)	(4)	(7)
 x1	 x1	A.  M6 x L16mm x26
(2)	(5)	B.  M6 x L35mm x4
 x4	 x1	C.  D6mm x30
(3)	(6)	D.  D8mm x22
 x1	 connector x2	E.  M6 x L66mm x1

**ASSEMBLY INSTRUCTIONS/INSTRUCTIONS D'ASSEMBLAGE**

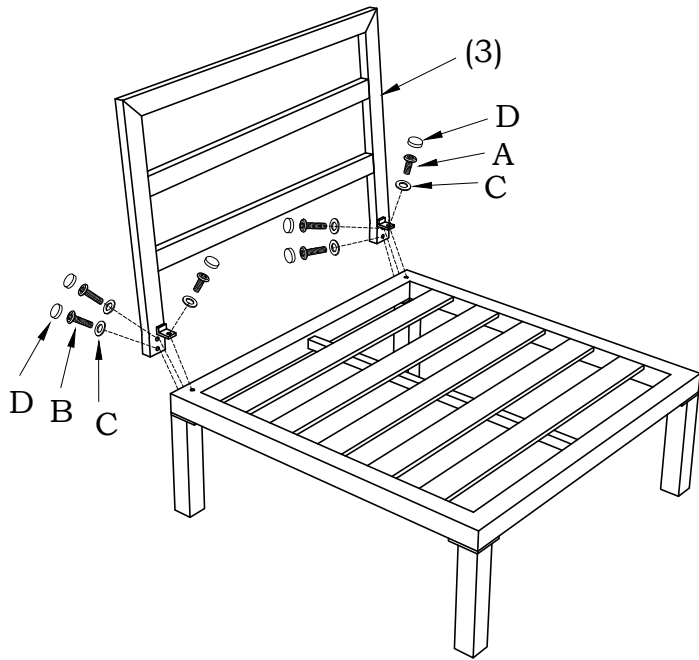
I



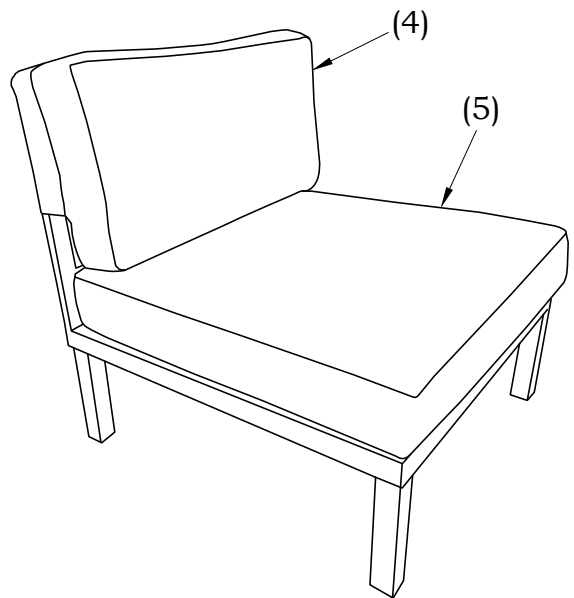
For missing parts or damaged parts, please call USA : 1-866-798-6663  
Canada : 514-382-6661

AI-1-180520

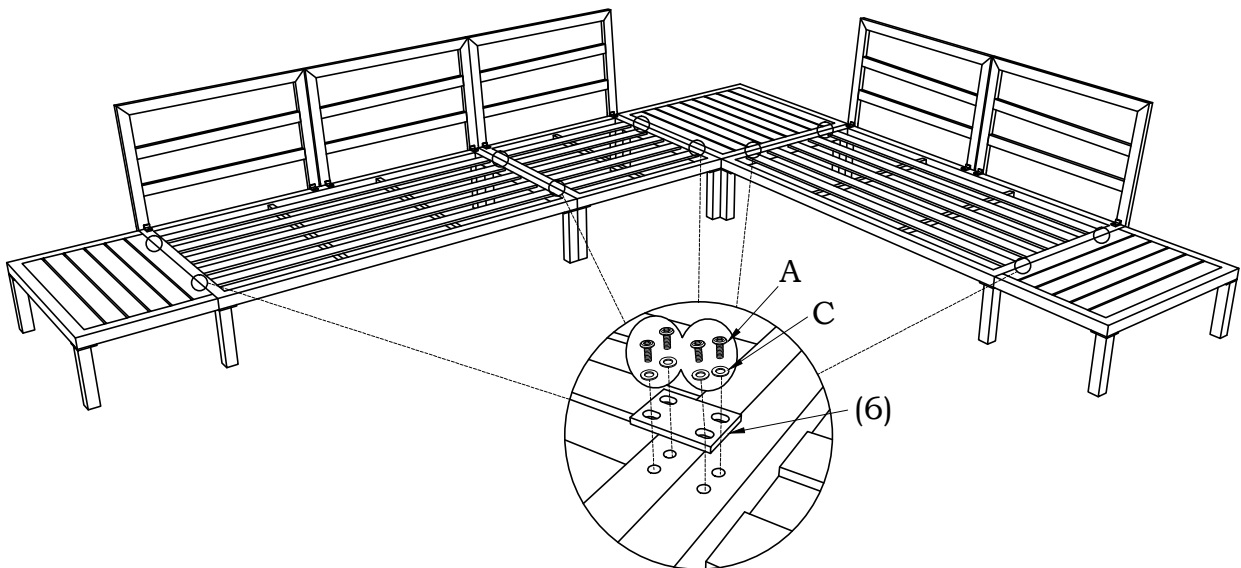
II



III



### Optional



For missing parts or damaged parts, please call USA : 1-866-798-6663  
Canada : 514-382-6661

AI-1-180520