

# ITEM NAME /NOM D' ITEM:REYKJAVIK COUNTER STOOL

ITEM # /NO. ITEM:300330 (TOBACCO)


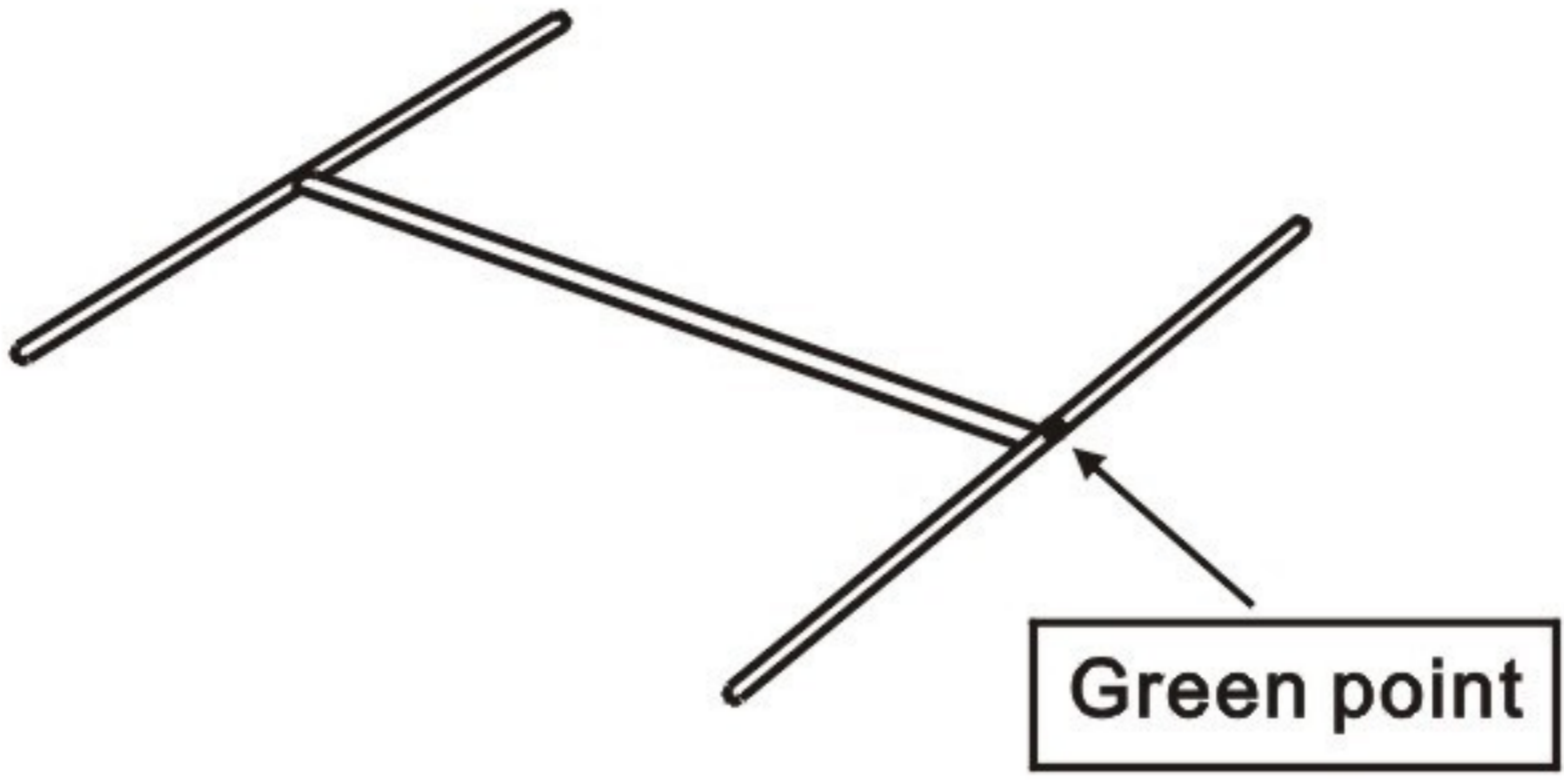


300333 (TANGERINE)

300334 (GRAPHITE)

300335 (PEA)

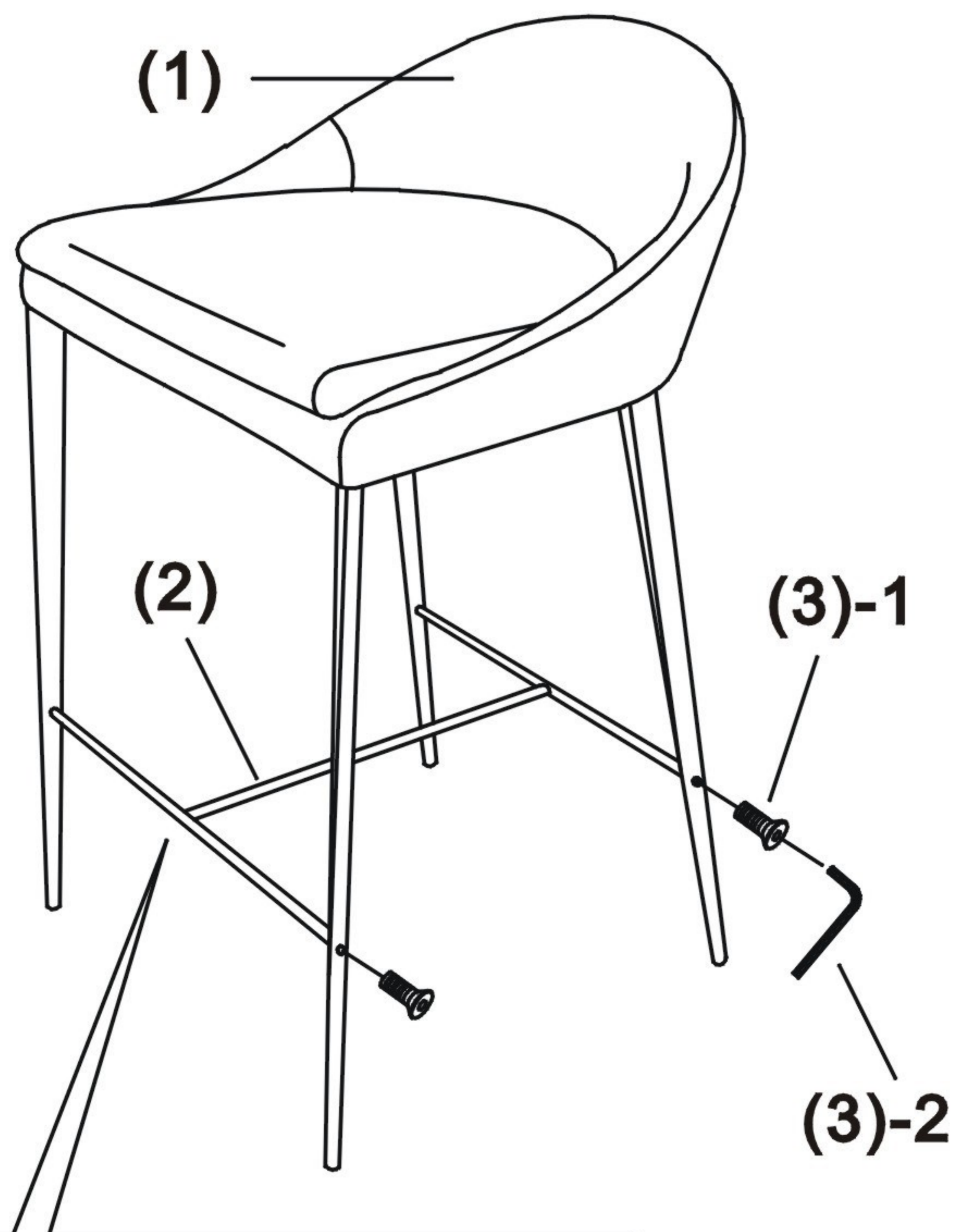
Enquiry:parts@zuomod.com

## PART LIST/Liste des pièces

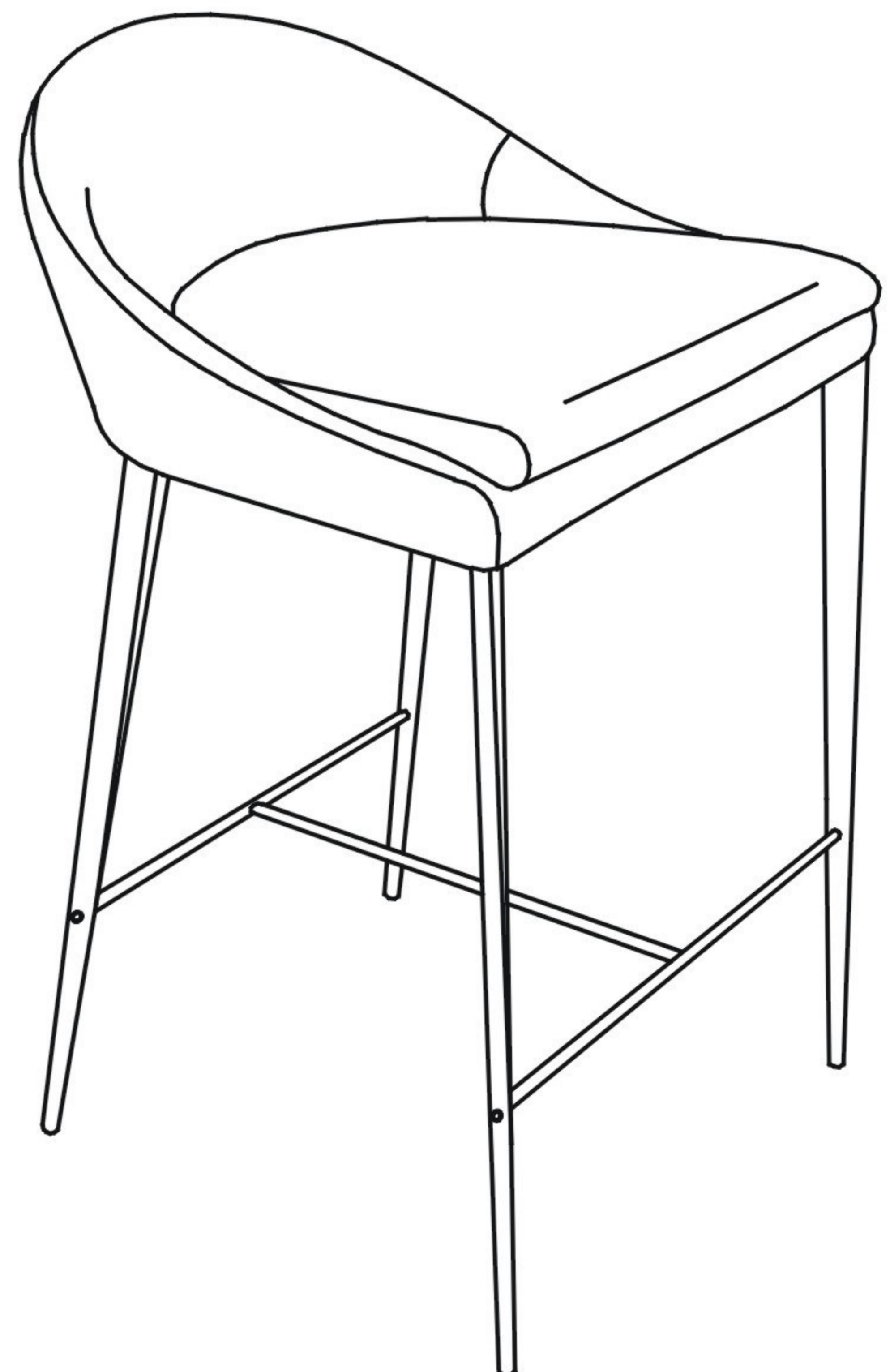
(1)	(2)	(3)
 X1	 X1	1.  X4 M5*25  2.  X1

## INSTRUCTION

**A**



**B**



**Tips: please assemble the part with green point at the front side!**