

# ITEM NAME /NOM D' ITEM:DARWEN COUNTER CHAIR

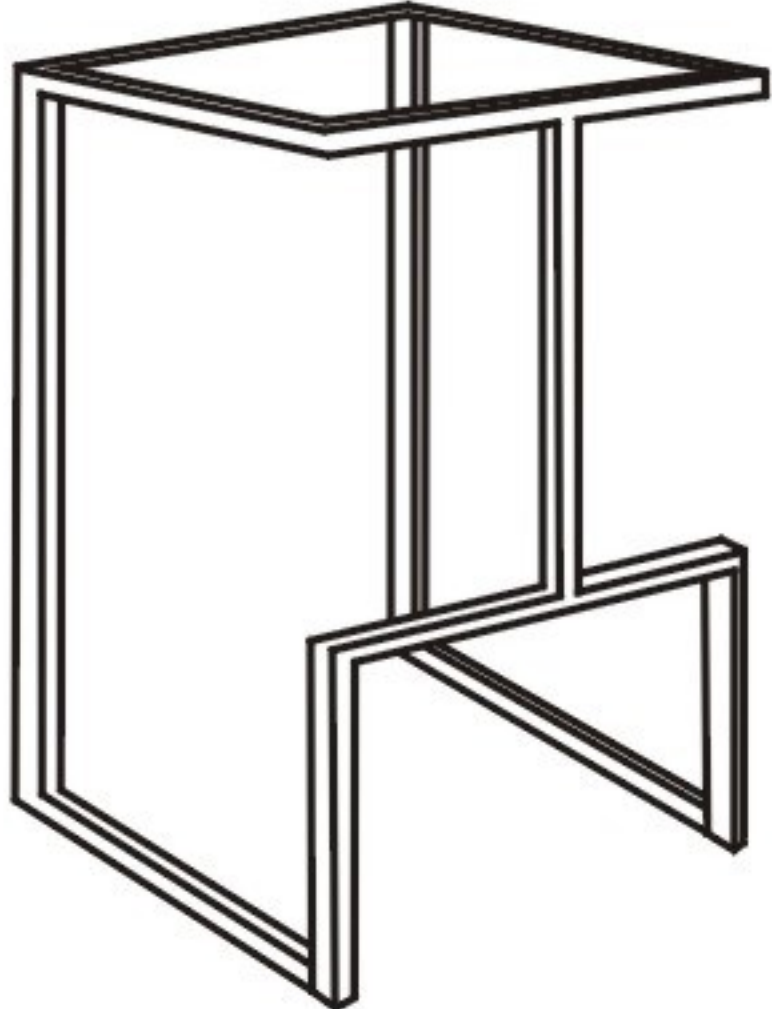
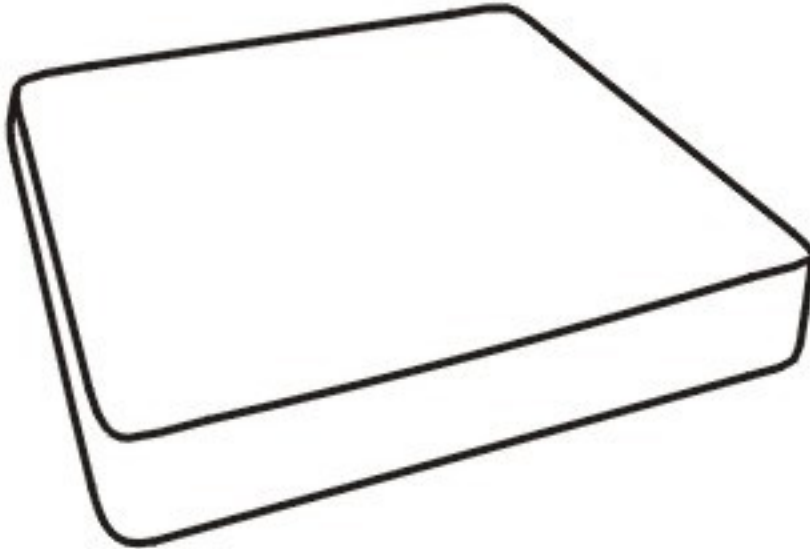


ITEM # /NO. ITEM:300048 (BLACK/NOIR)

300049 (WHITE/BLANC)

300050 (RED/ROUGE)

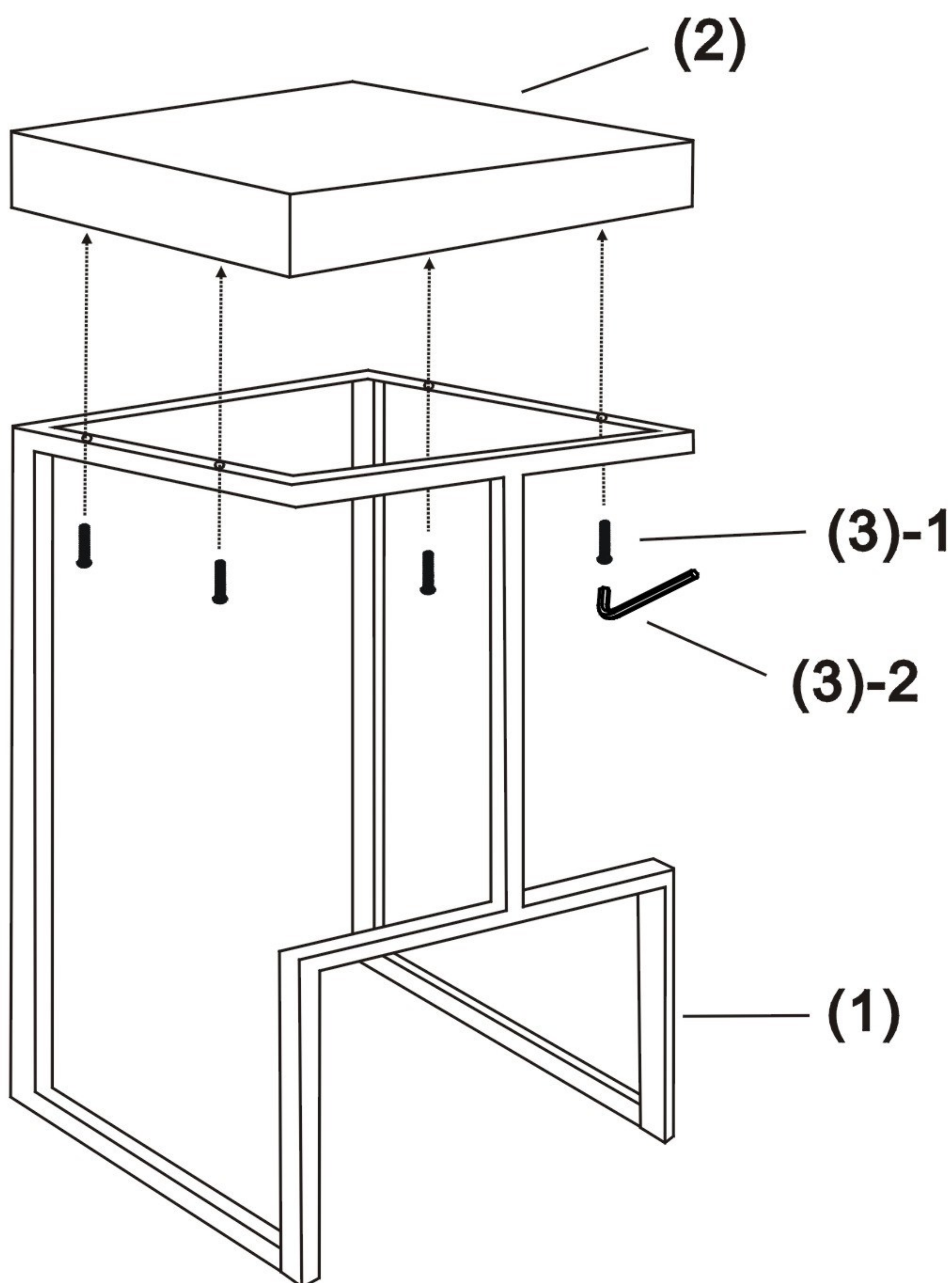
Enquiry:parts@zuomod.com

## PART LIST/Liste des pièces

(1)	(2)	(3)
 X1	 X1	1.  X4 6*35mm  2.  X1

## INSTRUCTION

**A**



**B**

