

ITEM NAME /NOM D' ITEM:DARWEN BAR CHAIR

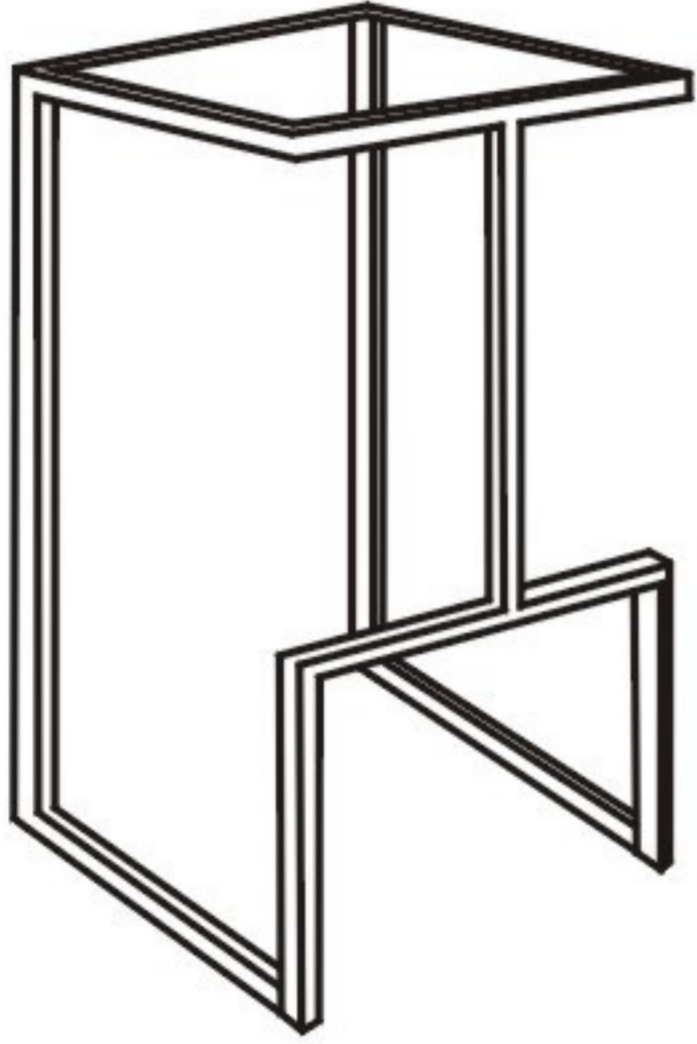
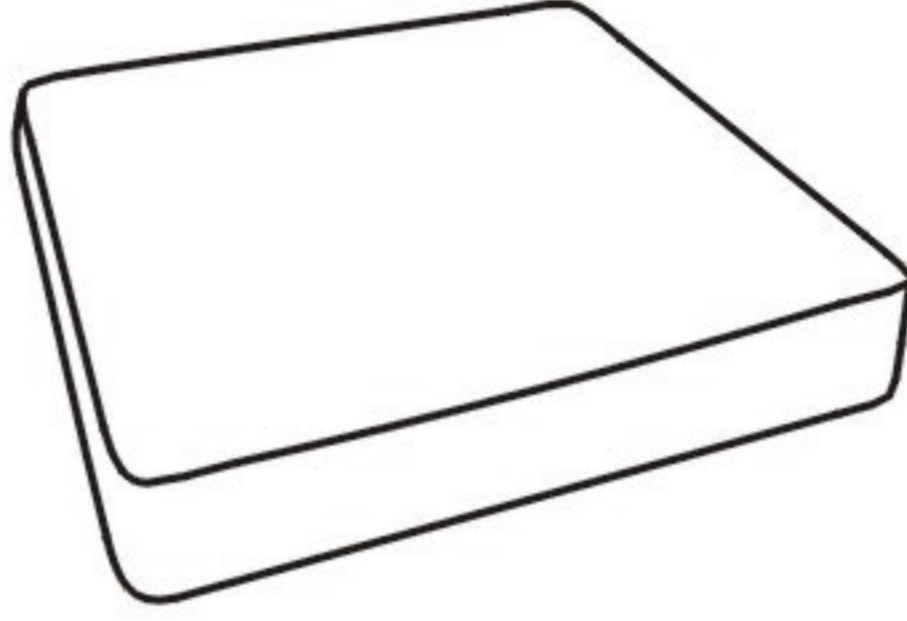


ITEM # /NO. ITEM:300045 (BLACK/NOIR)

300046 (WHITE/BLANC)

300047 (RED/ROUGE)

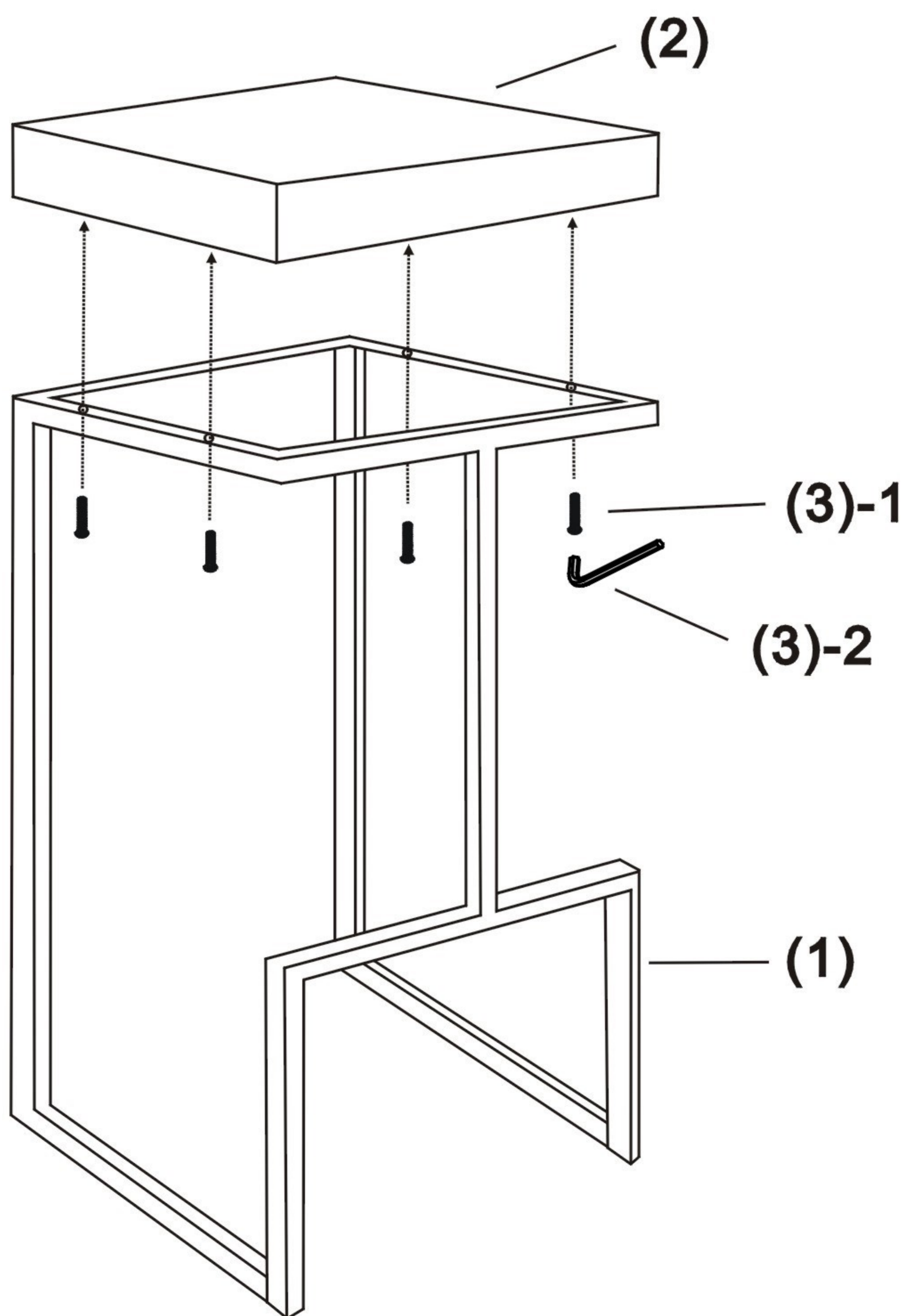
Enquiry:parts@zuomod.com

PART LIST/Liste des pièces

(1)	(2)	(3)
 X1	 X1	1.  X4 6*35mm 2.  X1

INSTRUCTION

A



B

