

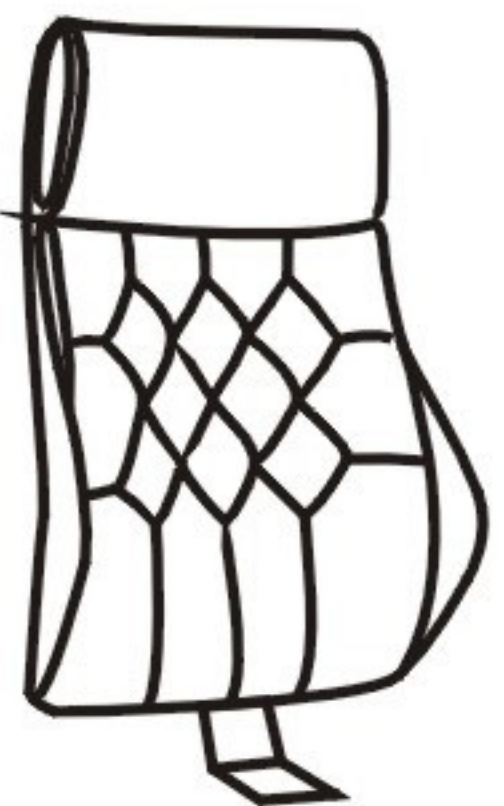
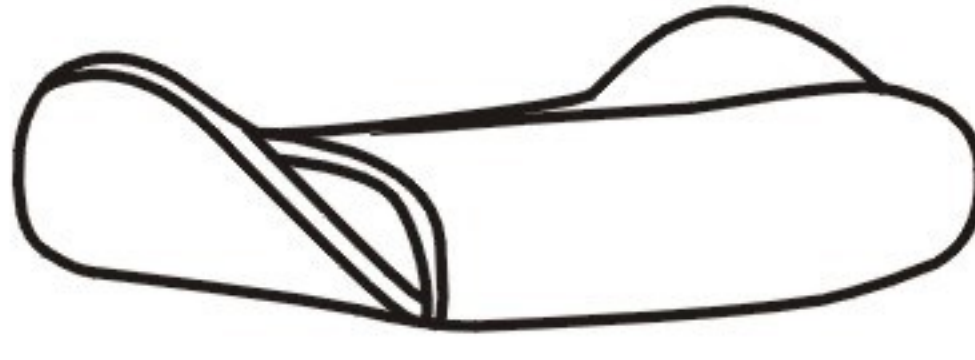























ITEM NAME /NOM D' ITEM: BOUTIQUE OFFICE CHAIR

ITEM # /NO. ITEM: 205890 (BLACK/NOIR) 205891 (WHITE/BLANC)

205898 (GRAY)

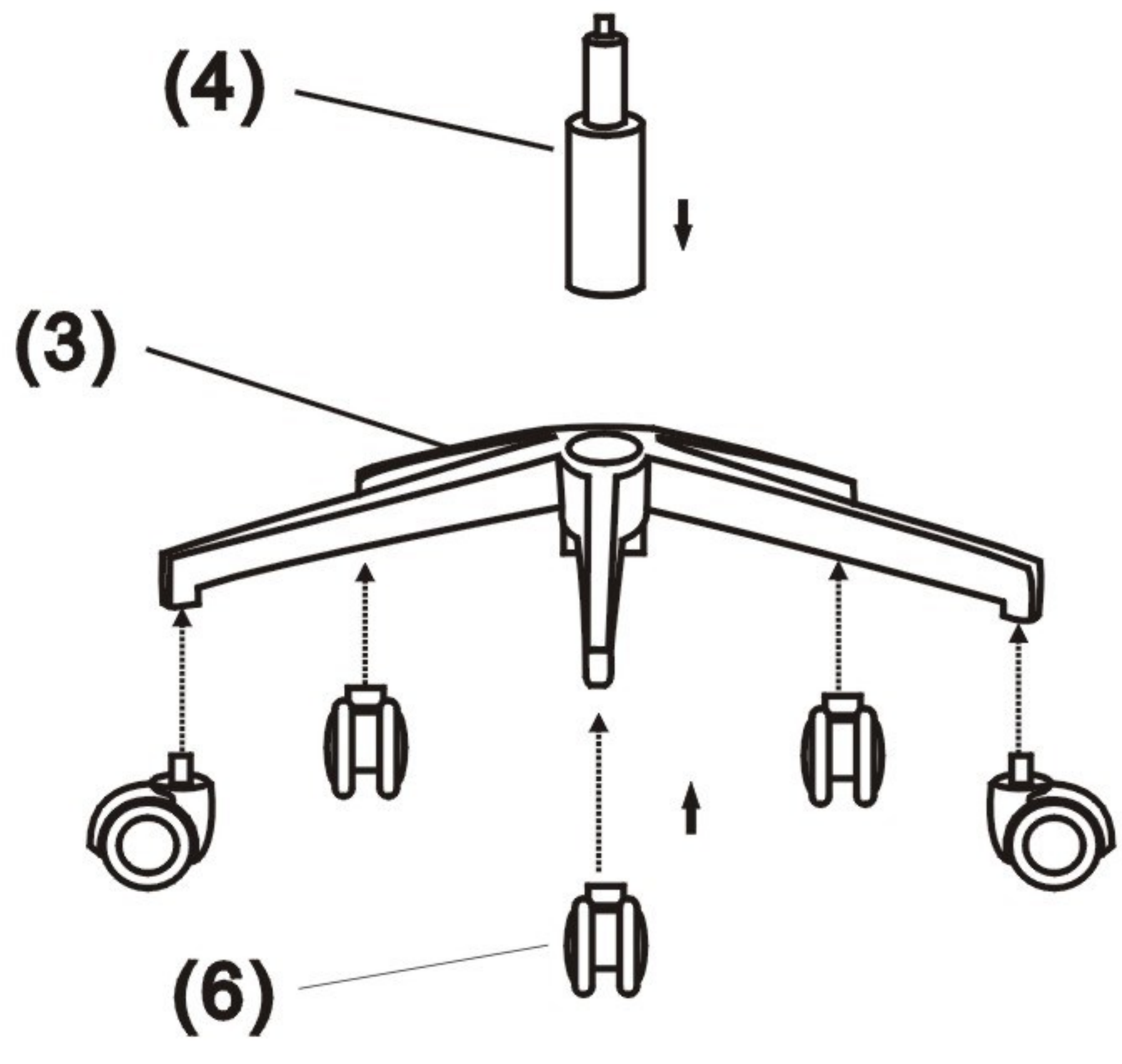
Enquiry: parts@zuomod.com

PART LIST/Liste des pièces

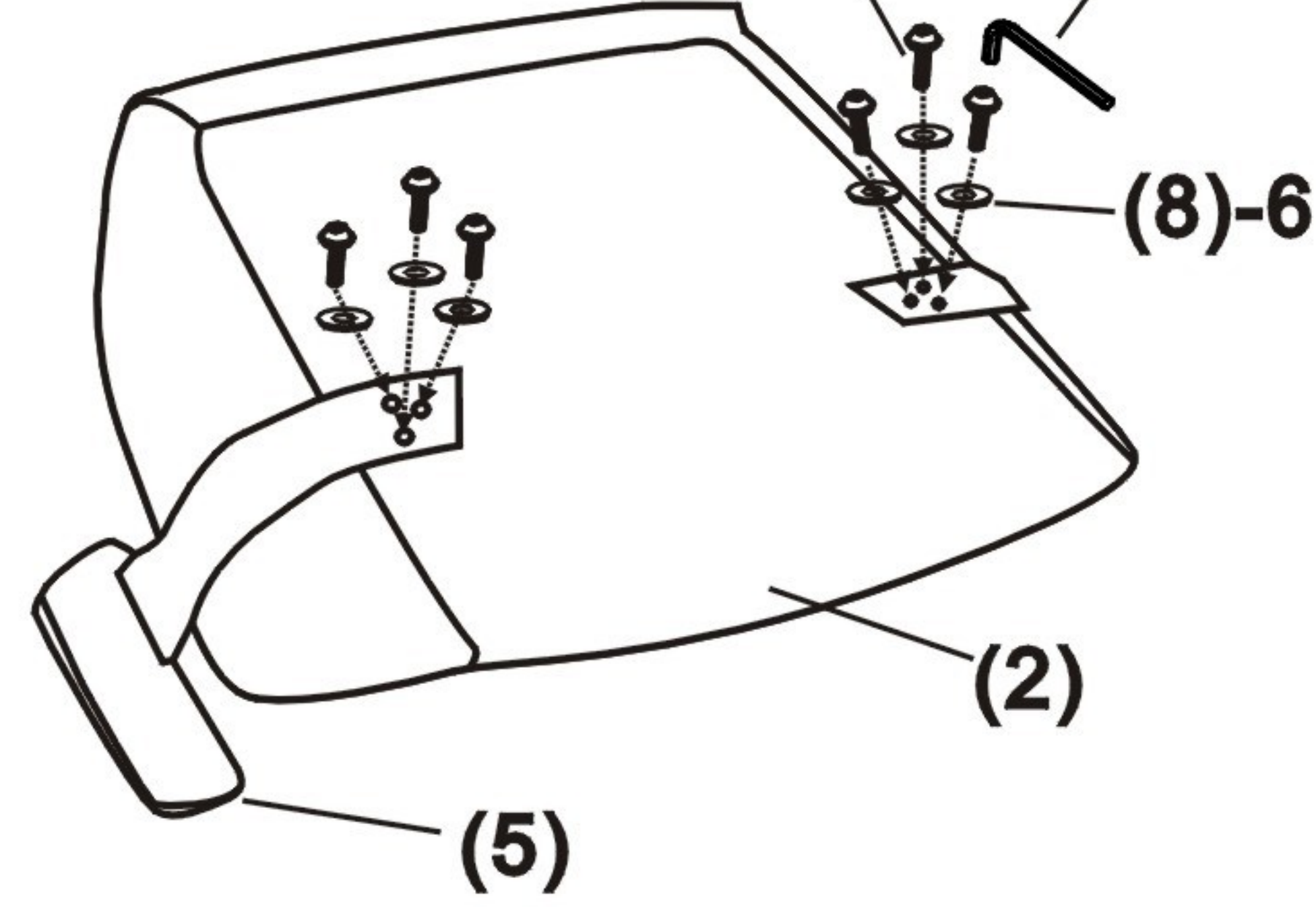
(1)	(2)	(3)	(4)																								
 X1	 X1	 X1	 X1																								
(5)	(6)	(7)	(8)																								
 X2	 X5	 X1	<table border="0"><tr><td>1.</td><td></td><td>X6</td><td>M6*25mm</td></tr><tr><td>2.</td><td></td><td>X4</td><td>M6*40mm</td></tr><tr><td>3.</td><td></td><td>X3</td><td>M8*16mm</td></tr><tr><td>4.</td><td></td><td>X1</td><td>M6</td></tr><tr><td>5.</td><td></td><td>X1</td><td>M8</td></tr><tr><td>6.</td><td></td><td>X10</td><td></td></tr></table>	1.		X6	M6*25mm	2.		X4	M6*40mm	3.		X3	M8*16mm	4.		X1	M6	5.		X1	M8	6.		X10	
1.		X6	M6*25mm																								
2.		X4	M6*40mm																								
3.		X3	M8*16mm																								
4.		X1	M6																								
5.		X1	M8																								
6.		X10																									

INSTRUCTION

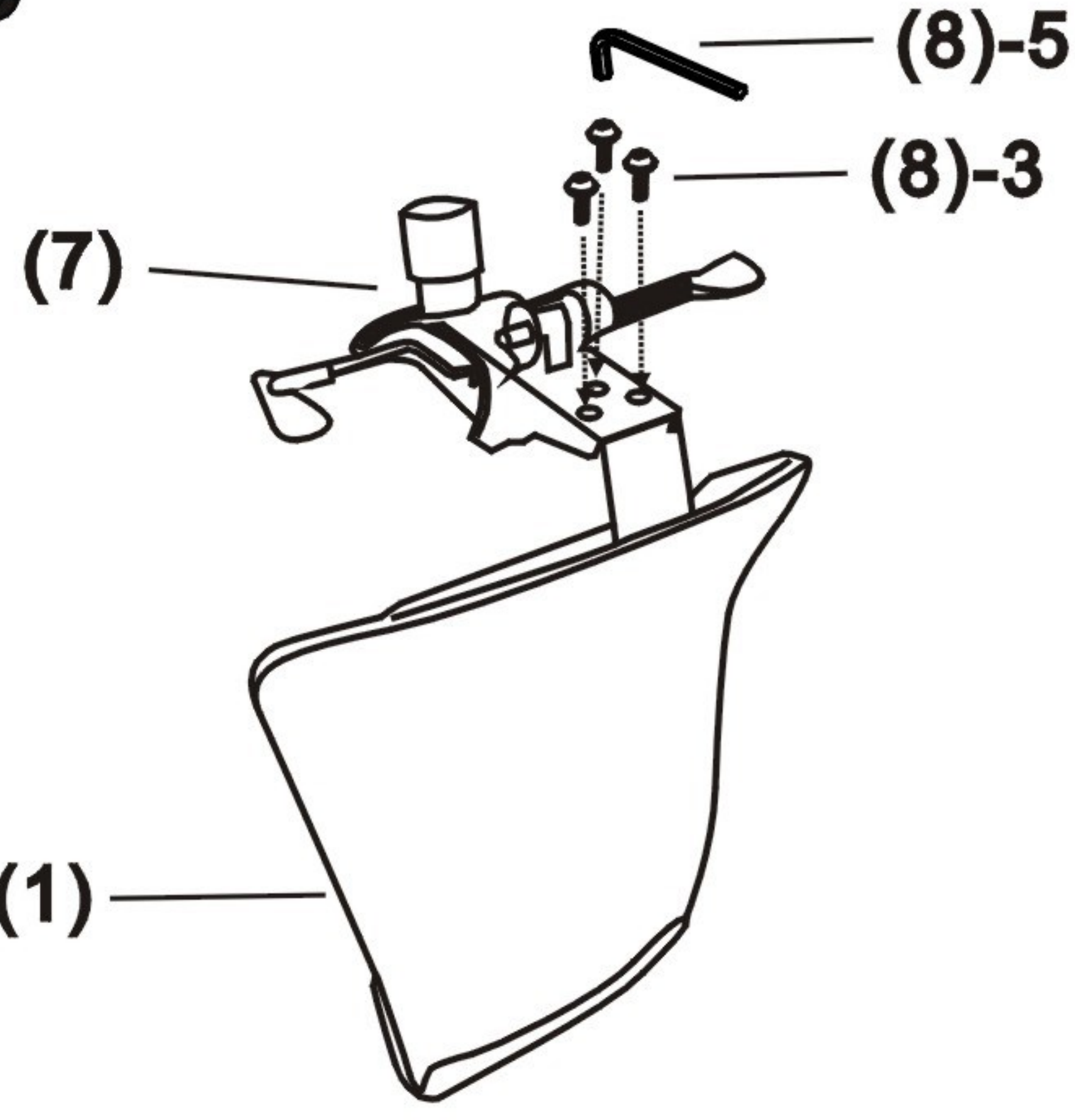
A



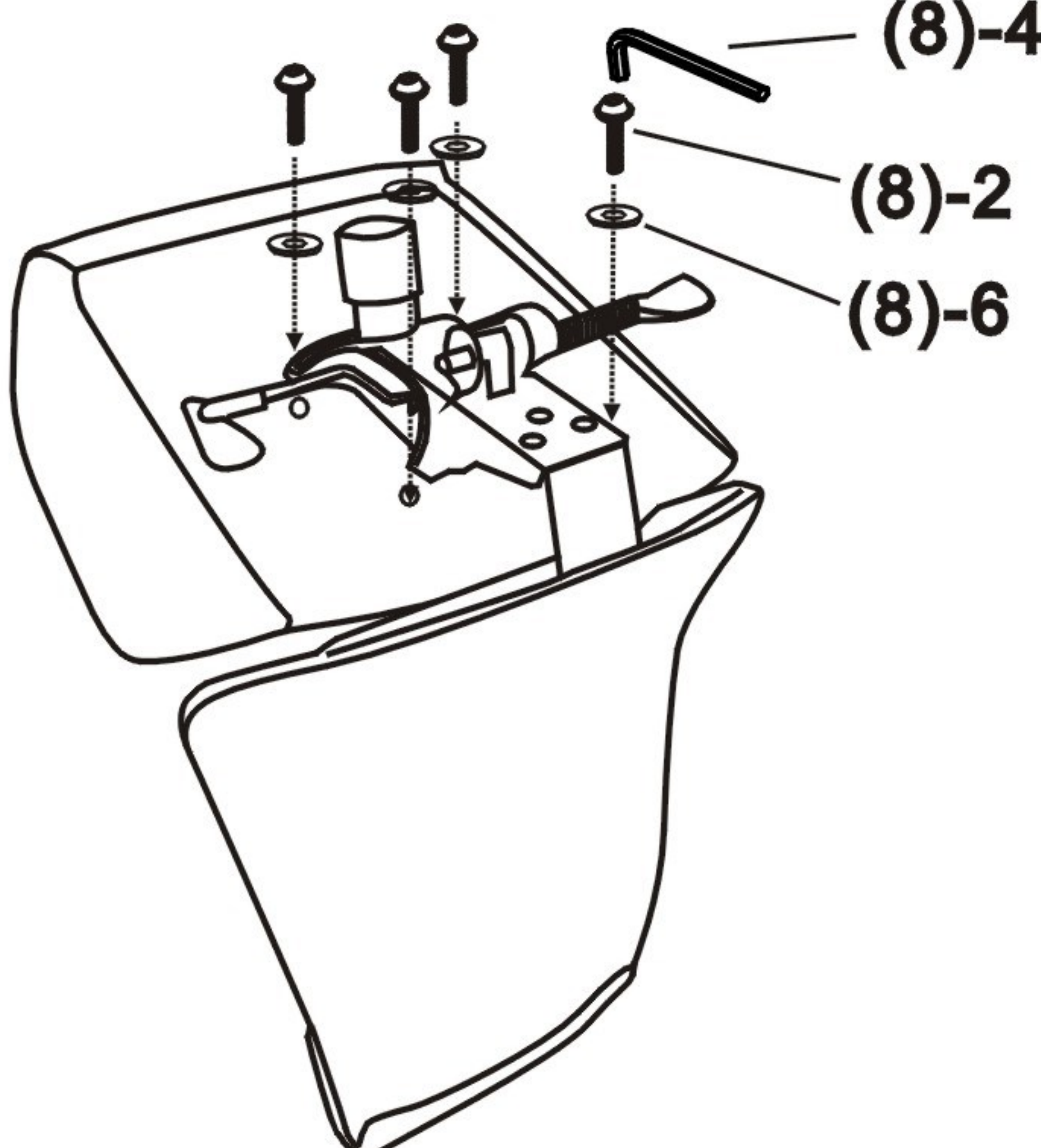
B



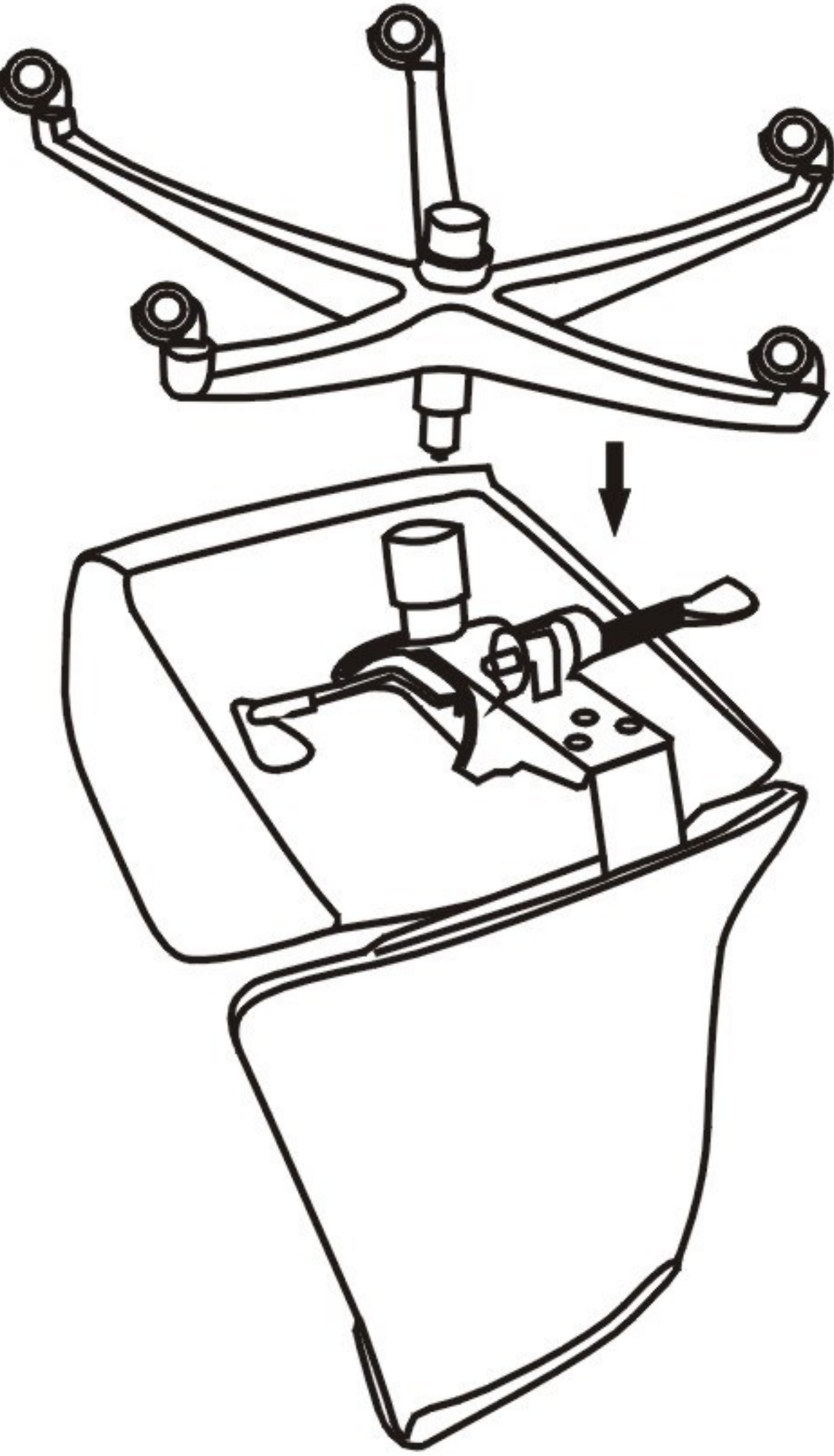
C



D



E



F

