
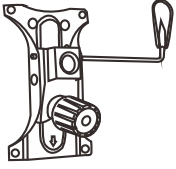

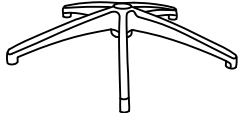
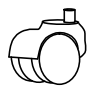


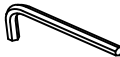


# ITEM NAME /NOM D' ITEM:STACY OFFICE CHAIR

ITEM # /NO. ITEM:102008(GRAY)

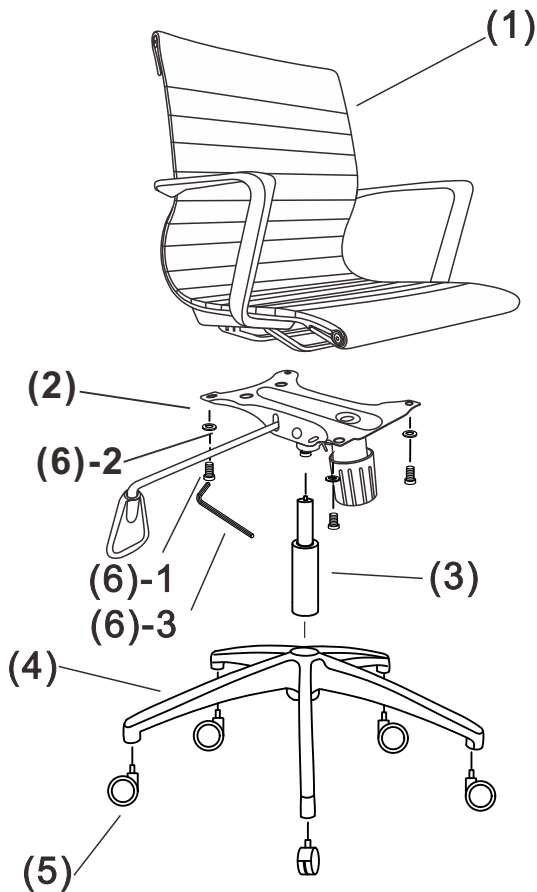
Enquiry:parts@zuomod.com

## PART LIST/Liste des pièces

(1)	(2)	(3)	(4)
 X1	 X1	 X1	 X1
(5)	(6)		
 X5	<ul style="list-style-type: none"><li>1、  X4 6X12MM</li><li>2、  X4</li><li>3、  X1</li></ul>		

## INSTRUCTION

**A**



**B**

