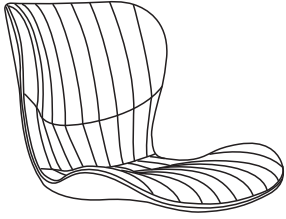
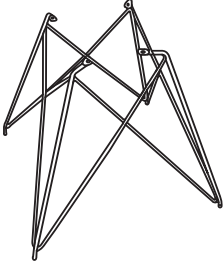


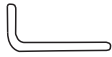


# ZUO®

**ITEM NAME / NOM D'ITEM: GABBY DINING CHAIR**

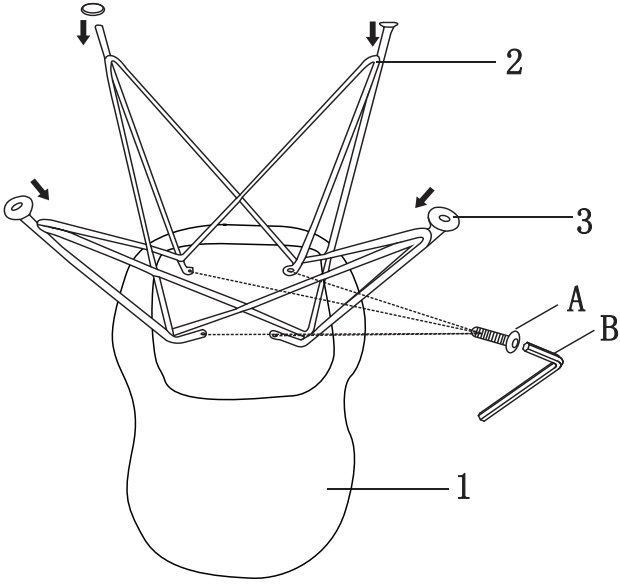
**ITEM #/NO. ITEM: 101950/101951**

**PARTS LIST / LISTE DES PIÈCES**


(1)	(2)	(3)	(4)
 <p style="text-align: right;">x1</p>	 <p style="text-align: right;">x1</p>	 <p style="text-align: right;">x4</p>	<p>A.  M6 x 18mm x4</p> <p>B.  6mm x1</p>

**ASSEMBLY INSTRUCTIONS / INSTRUCTIONS D'ASSEMBLAGE**

I.



II.



For missing parts or damaged parts, please call

USA : 1-866-798-6663

Canada : 514-382-6661

AI-V1-201124