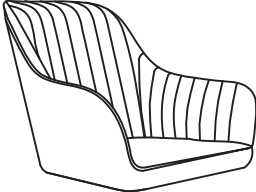
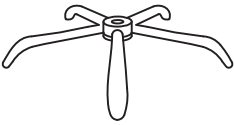







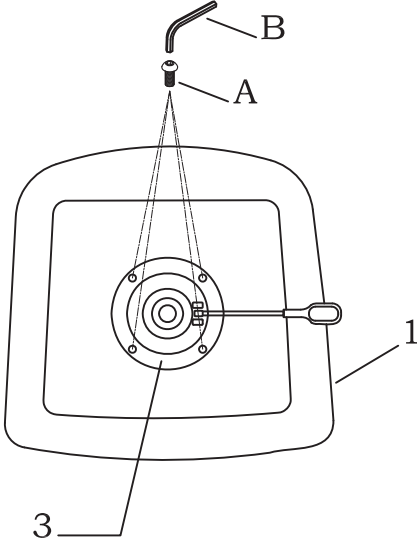
ITEM NAME/NOM D'ITEM: CURATOR OFFICE CHAIR
 ITEM #/NO.ITEM: 101840 / 101841

PARTS LIST/LISTE DES PIÈCES

(1)	(2)	(3)	(4)	(5)	(6)
 x1	 x1	 x1	 x1	 x5	A.  M6x18mm x4 B.  5mm x1

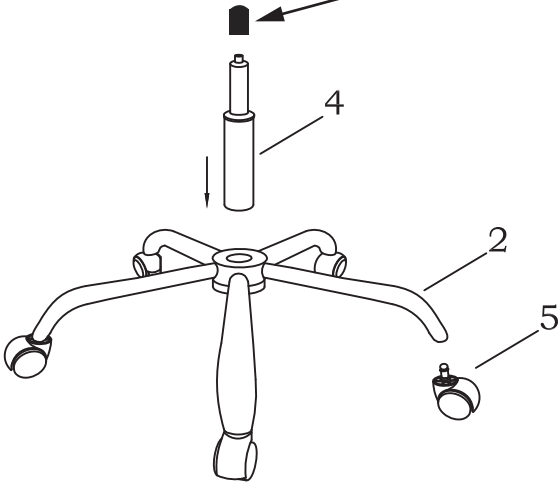
ASSEMBLY INSTRUCTIONS/INSTRUCTIONS D'ASSEMBLAGE

I

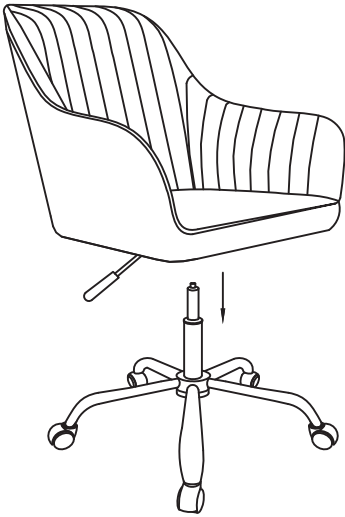


II

REMOVE THE CAP BEFORE ASSEMBLY



III



IV

