


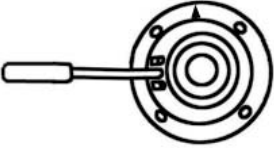
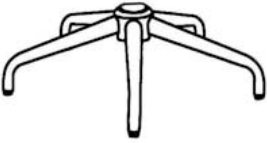




ITEM NAME/ NOM D'ITEM:BYRON OFFICE CHAIR

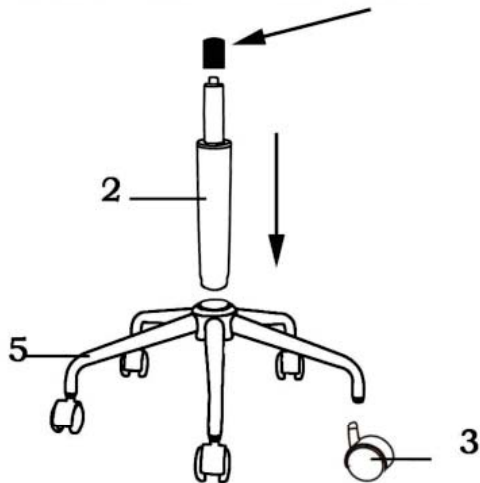
ITEM#/NO. ITEM:101780/101781/101782

## PART LIST / LISTE DES PIÈCES

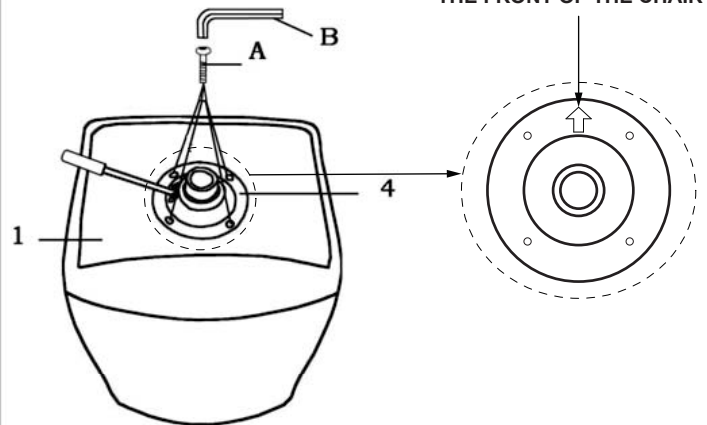
(1)	(2)	(3)
 x1	 x1	 x5
(4)	(5)	(6)
 x1	 x1	A.  M6x16mm x4 B.  5mm x1

## ASSEMBLY INSTRUCTIONS / INSTRUCTIONS D'ASSEMBLAGE

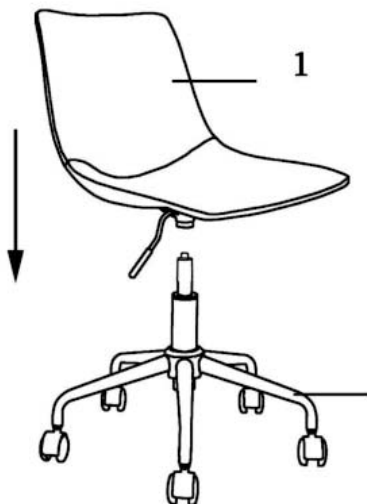
I REMOVE THE CAP BEFORE ASSEMBLE



II THE R SIGN MUST FACE THE FRONT OF THE CHAIR



III



IV



For missing parts or damaged parts, please call

USA : 1-866-798-6663

Canada : 514-382-6661

AI-V2-210110