

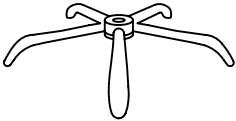
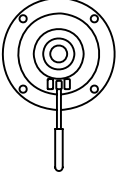




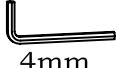


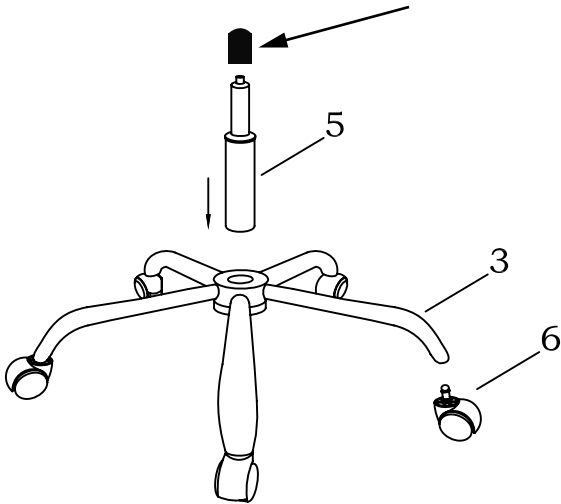
ITEM NAME/NOM D'ITEM: MILES OFFICE CHAIR  
 ITEM #/NO.ITEM: 101753 / 101754 / 101755

## PARTS LIST/LISTE DES PIÈCES

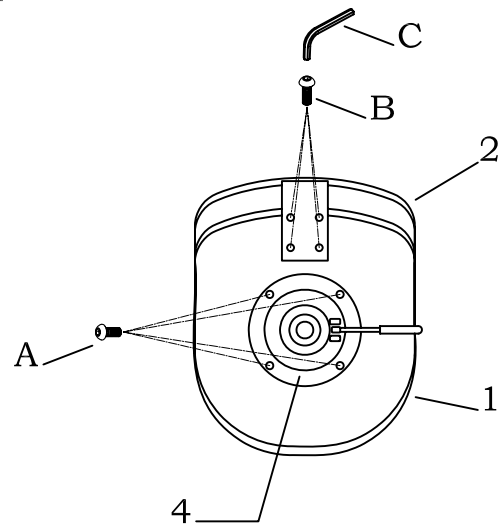
(1)	(2)	(3)	(4)	(5)	(6)	(7)
						A.  M6×18mm x4 B.  M6×22mm x4 C.  4mm x1
x1	x1	x1	x1	x1	x5	

## ASSEMBLY INSTRUCTIONS/INSTRUCTIONS D'ASSEMBLAGE

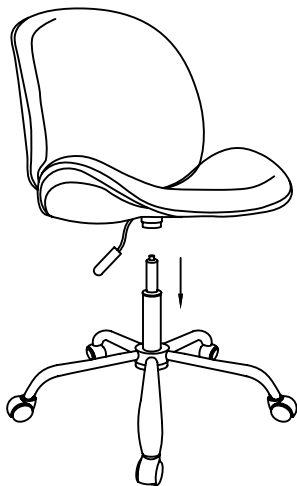
I REMOVE THE CAP BEFORE ASSEMBLY



II



III



IV

