









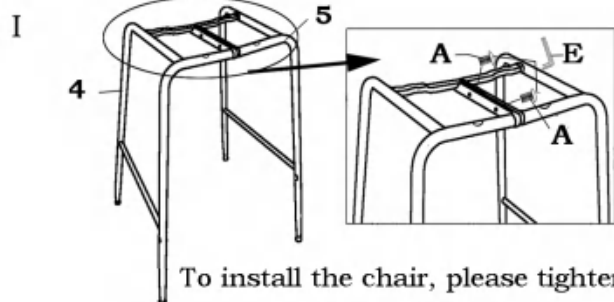


ITEM NAME/ NOM D'ITEM: MILES COUNTER CHAIR
ITEM#/NO. ITEM: 101744/101745/101746/101751

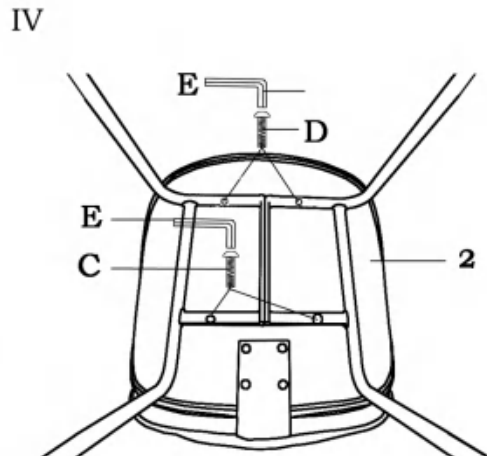
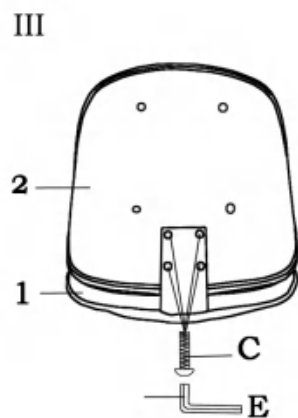
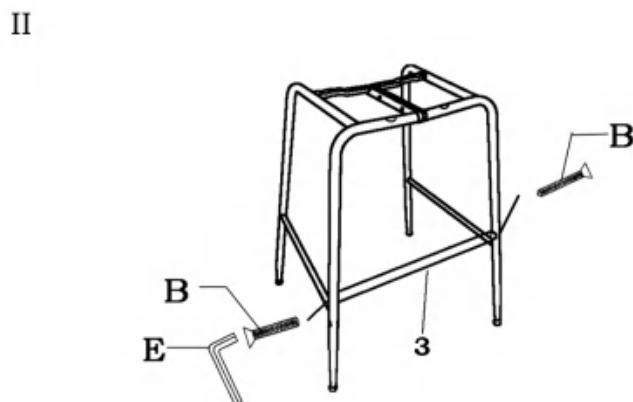
PART LIST / LISTE DES PIÈCES

(1)	(2)	(3)	(4)	(5)	(6)
					A.  M8x14mm x2 B.  M6x30mm x2 C.  M6x22mm x6 D.  M6x30mm x2 E.  5mm x1
x1	x1	x1	x1	x1	

ASSEMBLY INSTRUCTIONS / INSTRUCTIONS D'ASSEMBLAGE



To install the chair, please tighten the screws in 80% first, after installing all the screws, make sure the chair is balanced and re-tighten the screws in 100%.



For missing parts or damaged parts, please call

USA : 1-866-798-6663

Canada : 514-382-6661