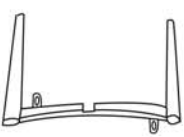
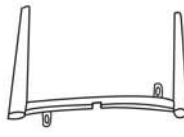


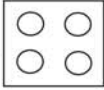








**ITEM NAME/NOM D'ITEM: COZY DINING CHAIR**  
**ITEM #/NO. ITEM: 101555/101556/101557/101558**

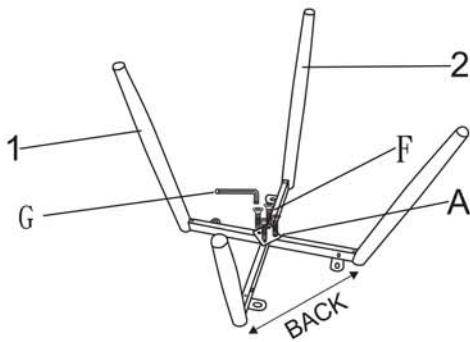
## PARTS LIST/LISTE DES PIÈCES

(1)	(2)	(3)	(4)
 x1	 x1	 x1	 x1
(5)			

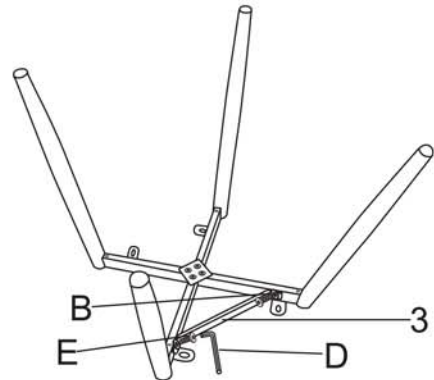
A.  50mm x1	B.  Ø6mm x6	C.  M6 x 18mm x4	D.  5mm x1
E.  M6 x 13mm x2	F.  M6 x 18mm x4	G.  4mm x1	

## ASSEMBLY INSTRUCTIONS/INSTRUCTIONS D'ASSEMBLAGE

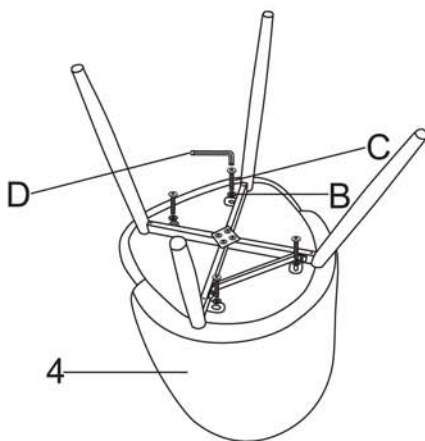
I.



II.



III.



IV.

