

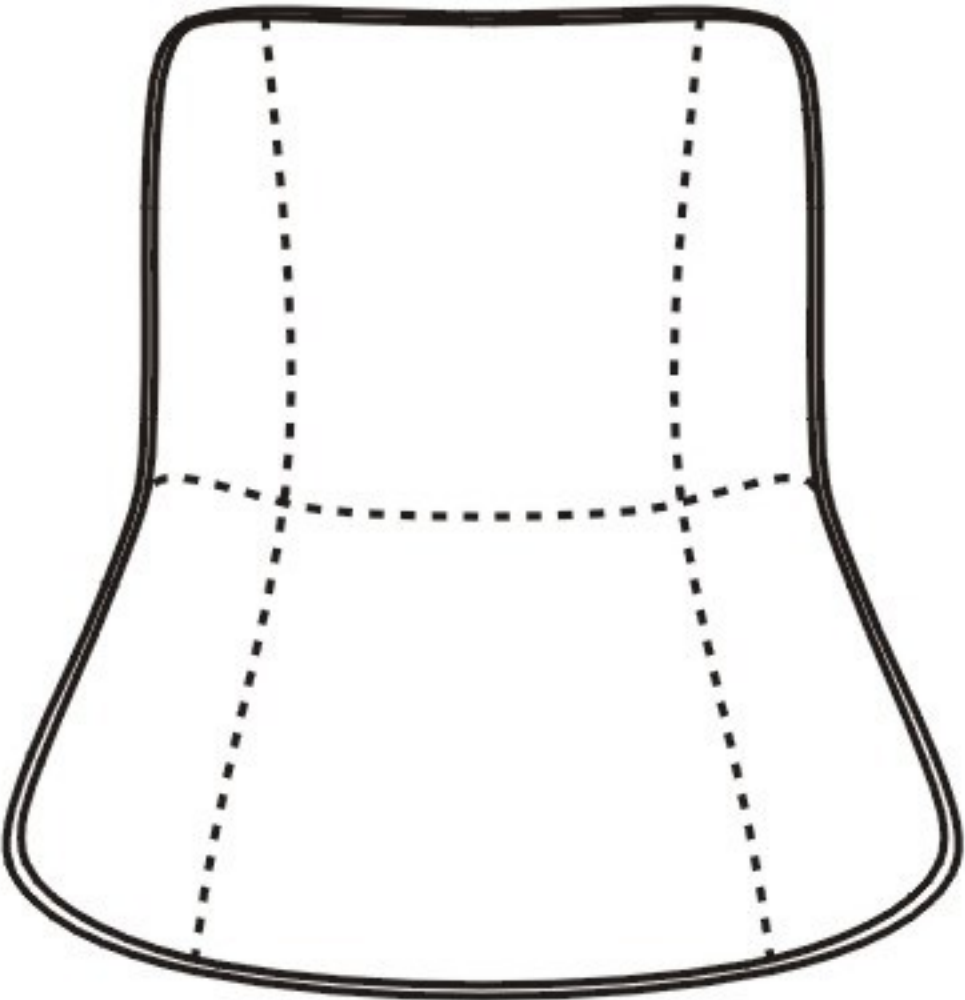
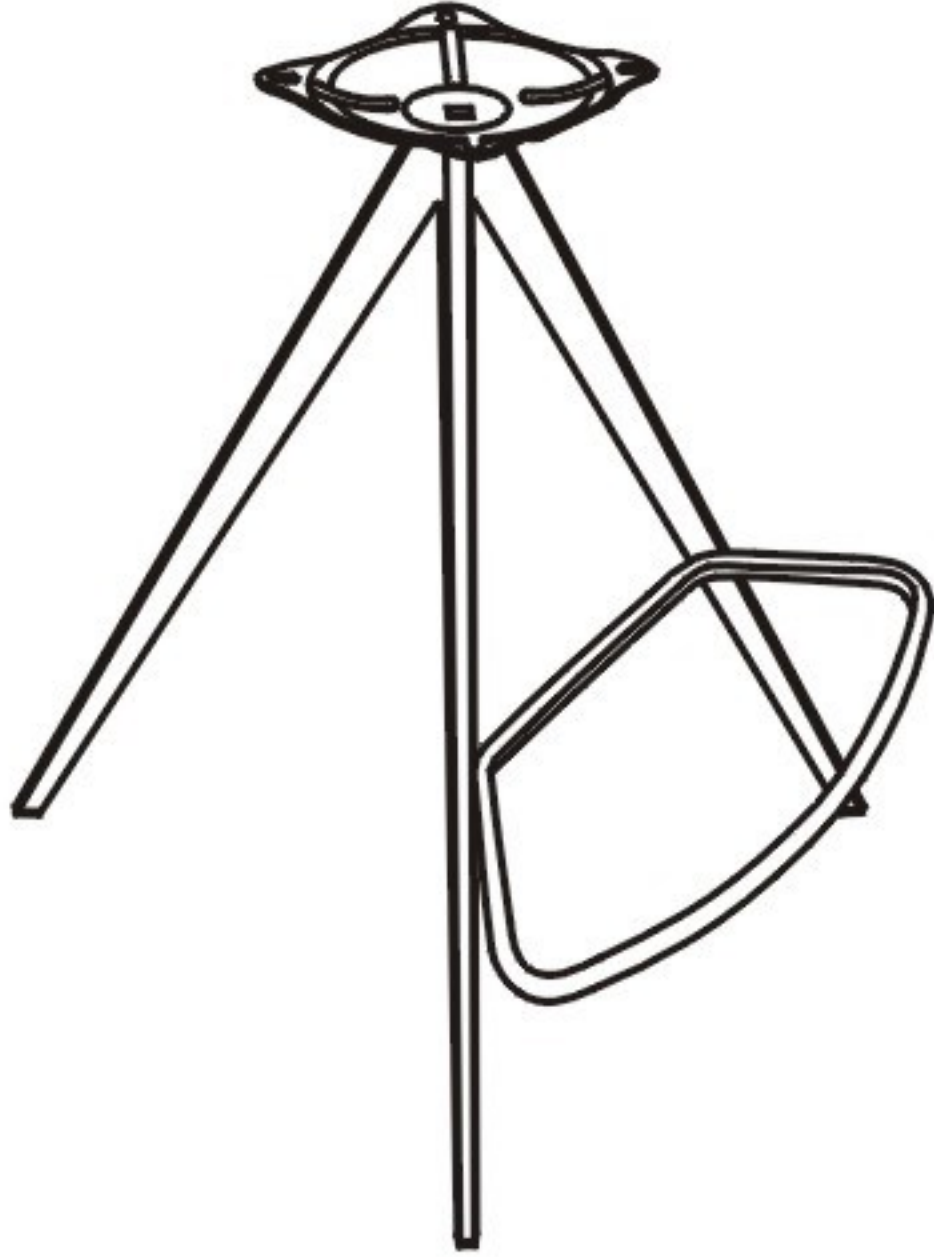












ITEM NAME /NOM D' ITEM:AKI COUNTER CHAIR

ITEM # /NO. ITEM:101393 (WHITE&BLACK)

101394 (BLACK/NOIR)

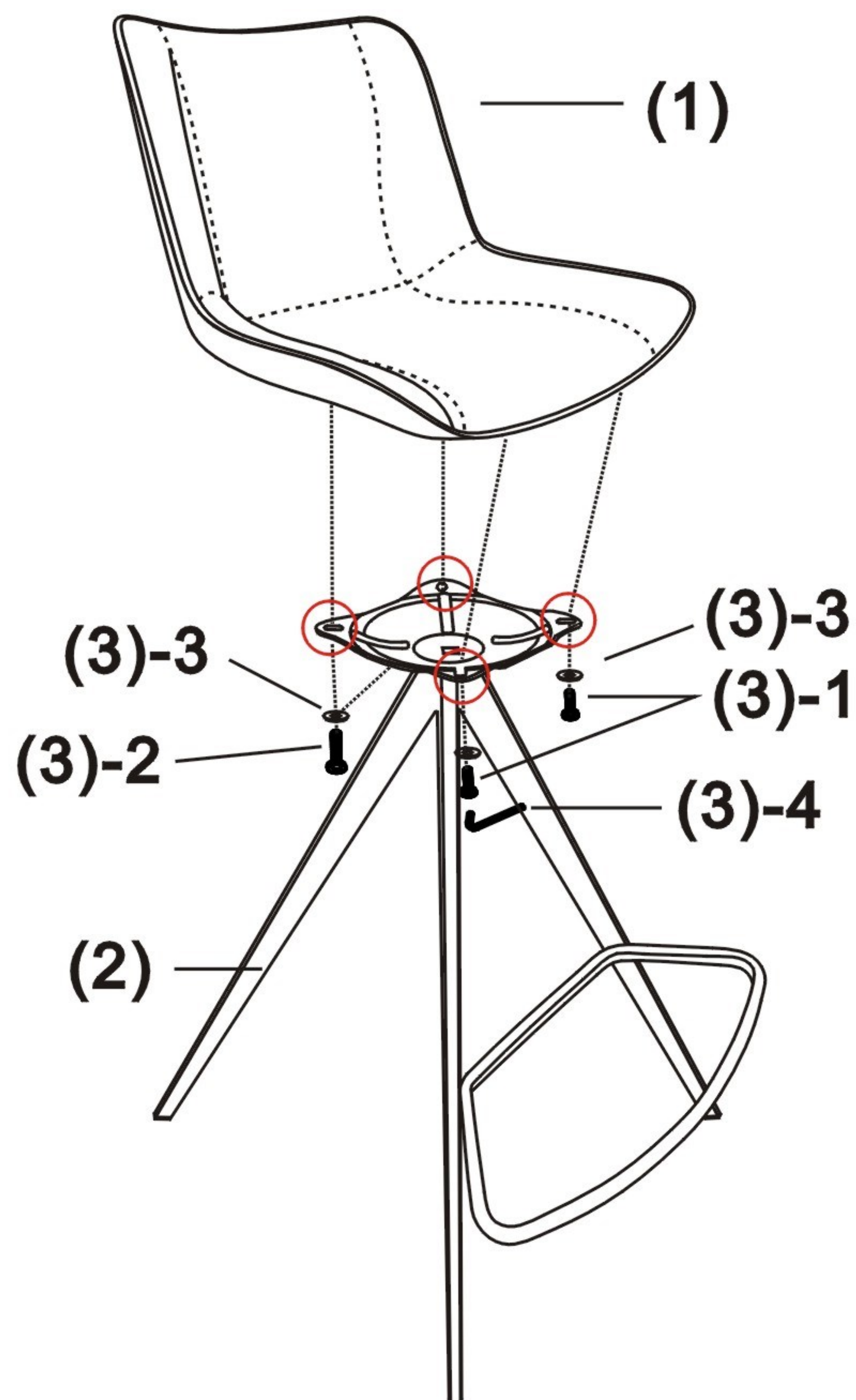
Enquiry:parts@zuomod.com

PART LIST/Liste des pièces

(1)	(2)	(3)																
 X1	 X1	<table><tr><td>1.</td><td></td><td>X2</td><td>M4*20mm</td></tr><tr><td>2.</td><td></td><td>X2</td><td>M4*25mm</td></tr><tr><td>3.</td><td></td><td>X4</td><td></td></tr><tr><td>4.</td><td></td><td>X1</td><td></td></tr></table>	1.		X2	M4*20mm	2.		X2	M4*25mm	3.		X4		4.		X1	
1.		X2	M4*20mm															
2.		X2	M4*25mm															
3.		X4																
4.		X1																

INSTRUCTION

A



B

