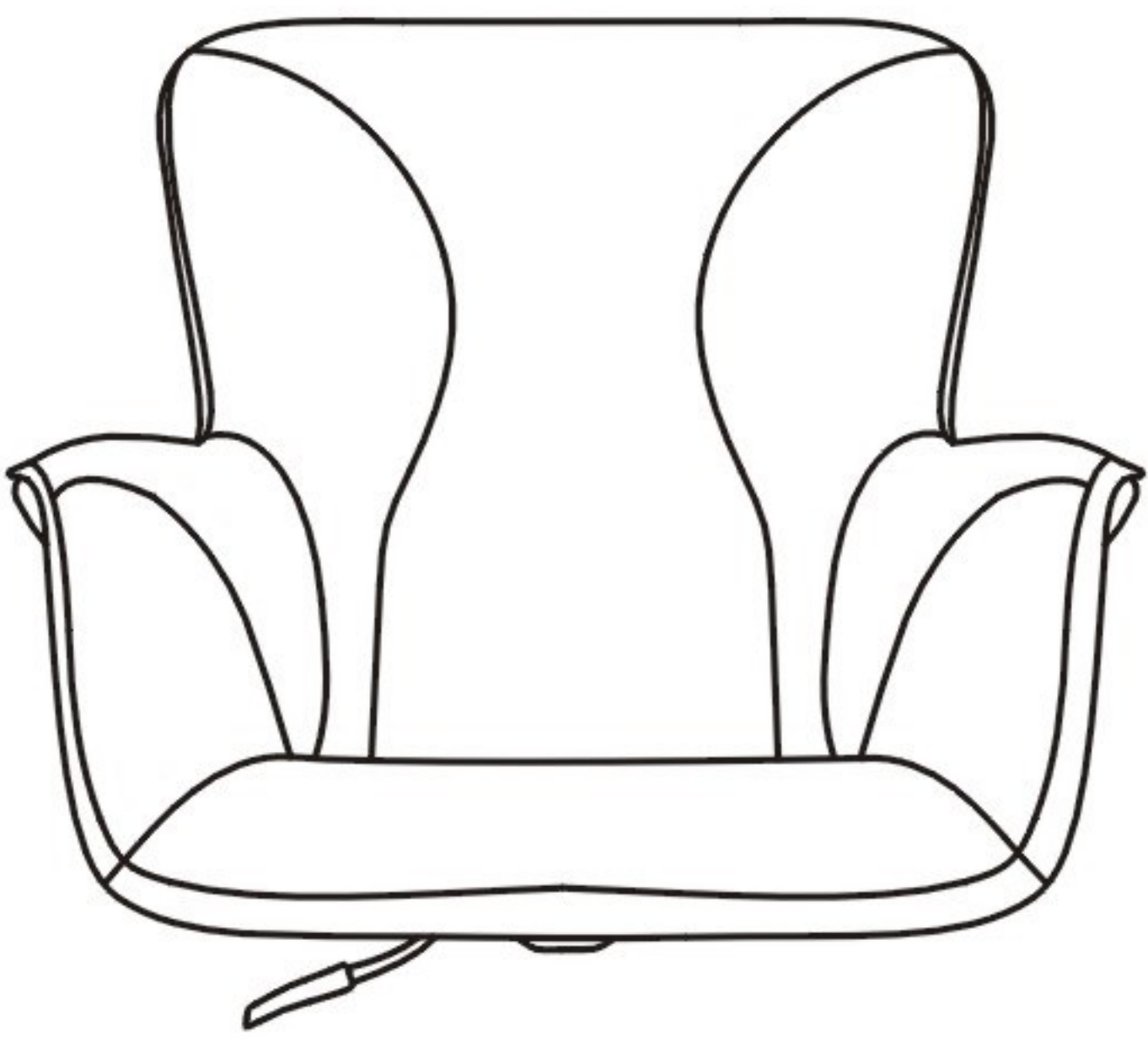

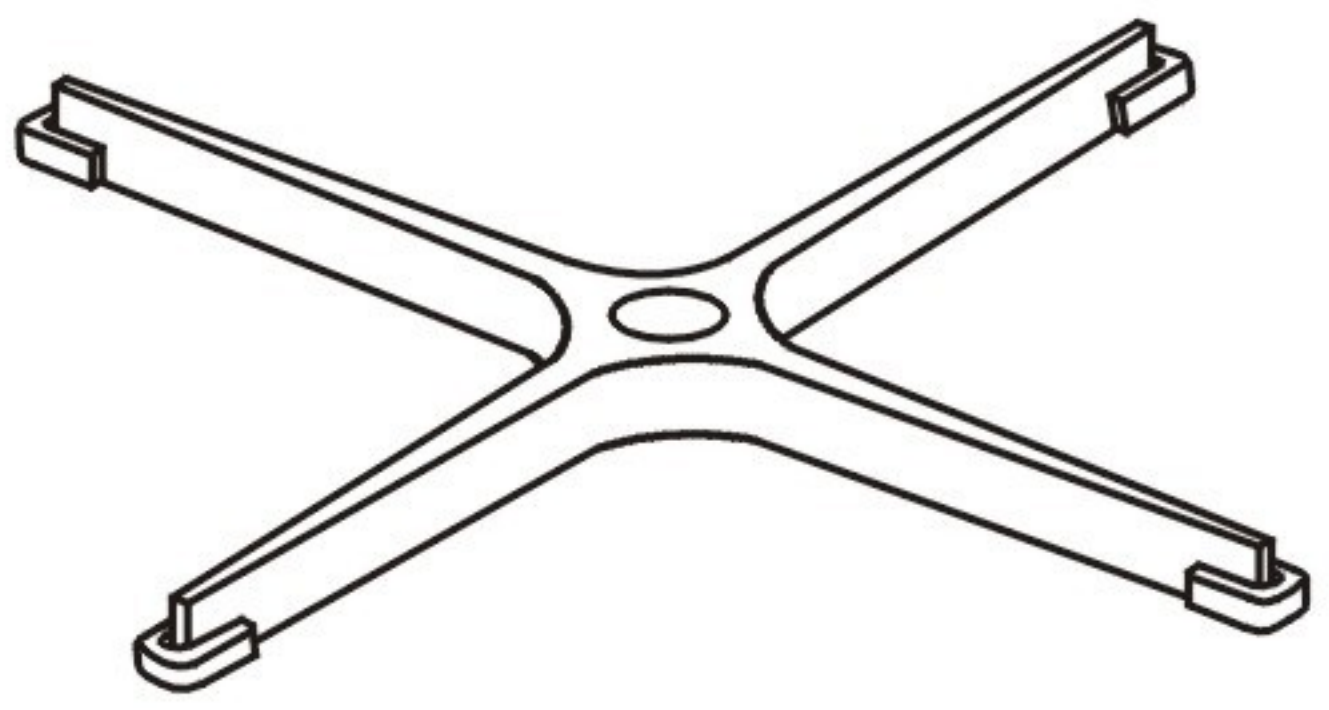


ITEM NAME /NOM D' ITEM:ALAIN ARM CHAIR

ITEM # /NO. ITEM:101150 (GRAY)

Enquiry:parts@zuomod.com

## PART LIST/Liste des pièces

(1)	(2)	(3)
 <p>X1</p>	 <p>X1</p>	 <p>X1</p>

## INSTRUCTION

