
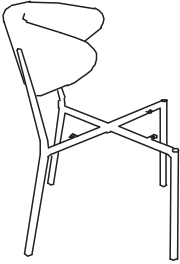




ITEM NAME /NOM D' ITEM:PONTUS DINING CHAIR

ITEM # /NO. ITEM:100764(CHARCOAL GRAY)

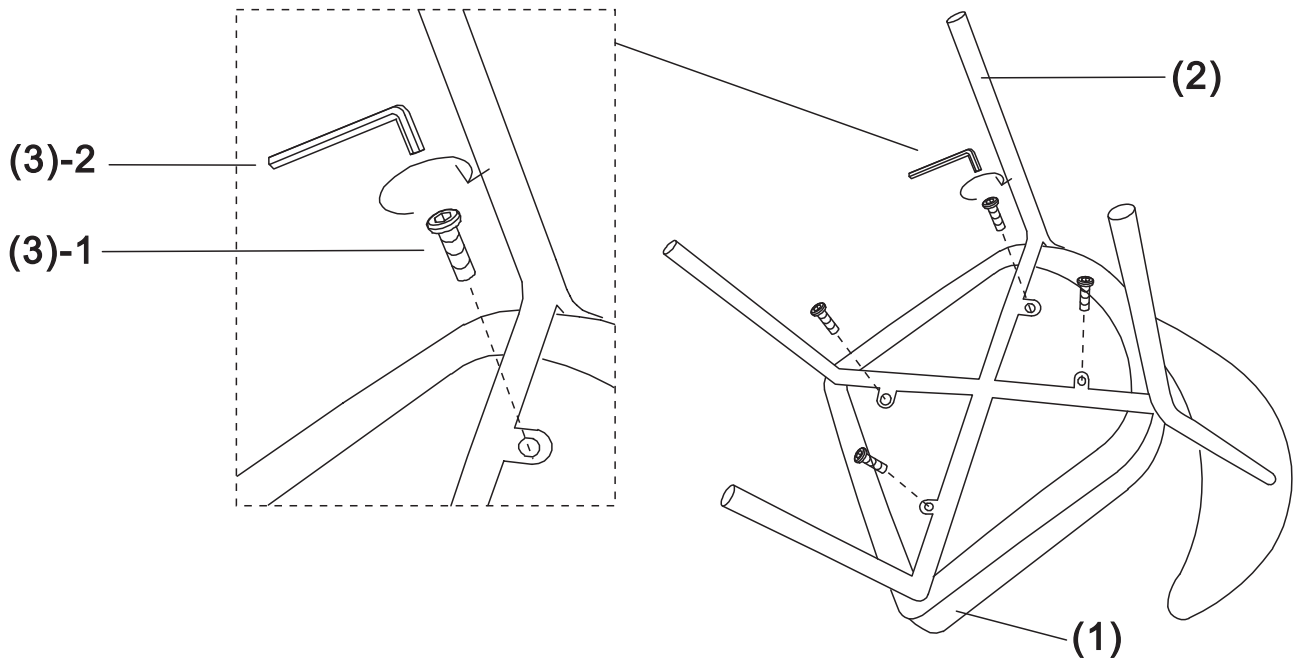
Enquiry:parts@zuomod.com

PART LIST/Liste des pièces

(1)	(2)	(3)
 X1	 X1	1.  X4 6*16mm 2.  X1

INSTRUCTION

A



B

