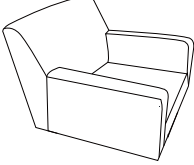









**ITEM NAME / NOM D'ITEM: FRANKLIN CHAIR**

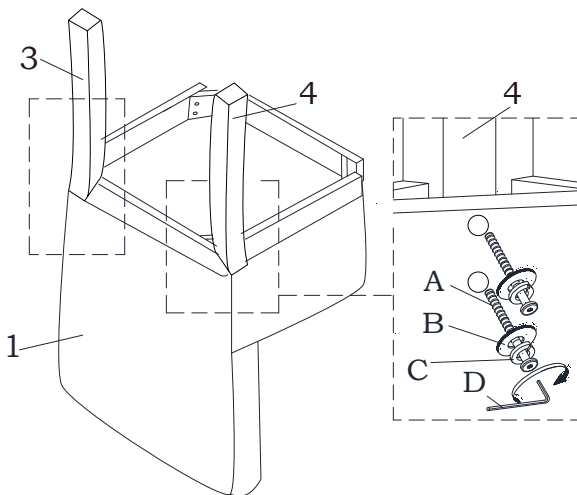
**ITEM #/NO. ITEM: 100724/100725**

**PART LIST / LISTE DES PIÈCES**

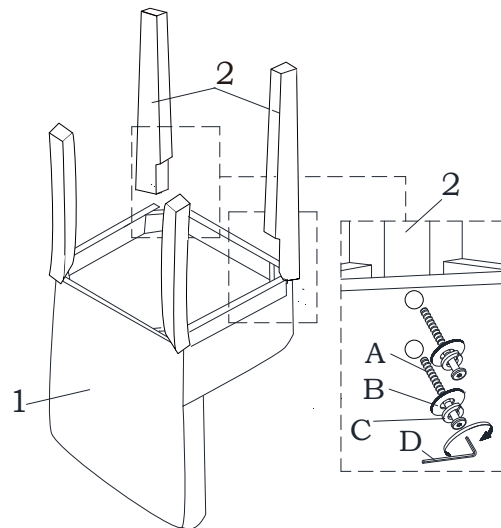
| (1)  | (2)  | (3)   | (4)   | (5)   |
|--|--|---|---|---|
| <br>x1 | <br>F<br>x2 | <br>BL<br>x1 | <br>BR<br>x1 | A.  M6X50mm x8 |
|  |  |   |   | B.  Ø6mm x8    |
|  |  |   |   | C.  Ø6mm x8    |
|  |  |   |   | D.  4mm x1     |

**ASSEMBLY INSTRUCTIONS / INSTRUCTIONS D'ASSEMBLAGE**

I.



II.



III.

