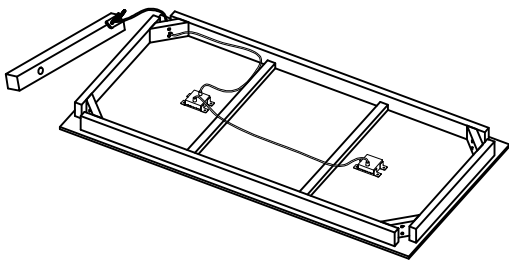

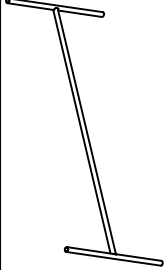
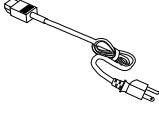



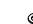





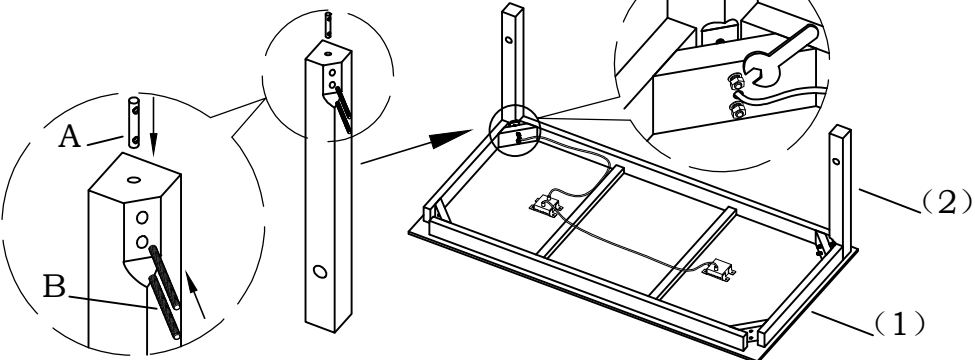
ITEM NAME/ NOM D' ITEM: SOCIAL TABLE 30/42 INCH WITH USB CHARGER
ITEM #/NO.ITEM: AND100618 / 100619 / 100620 / 100621

PARTS LIST/LISTE DES PIÈCES

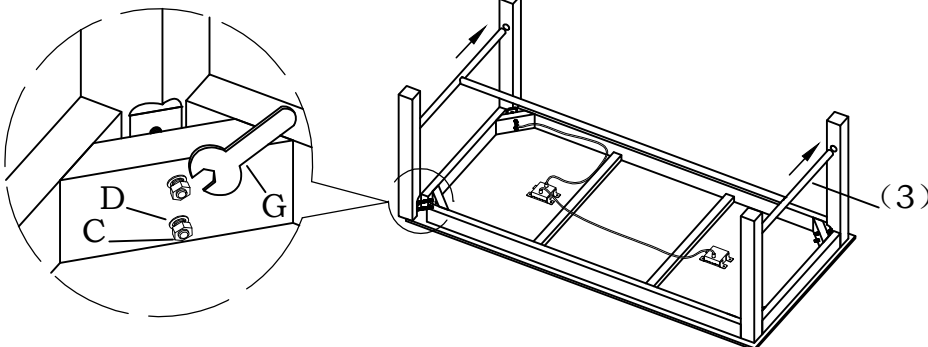
(1)	(2)	(3)	(4)	(5)
				A.  x4 B.  x8 C.  x8 D.  x8 E.  x10 F.  x5 G.  x1
x1	x3	x1	x1	

ASSEMBLY INSTRUCTIONS/INSTRUCTIONS D'ASSEMBLAGE

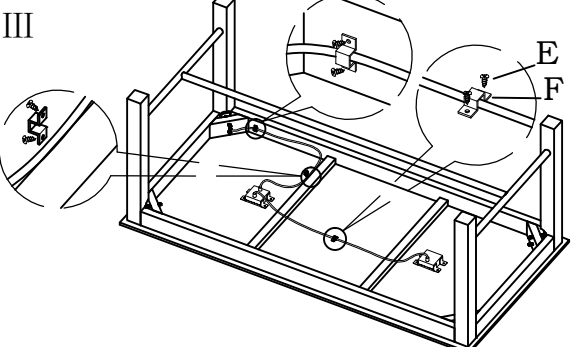
I



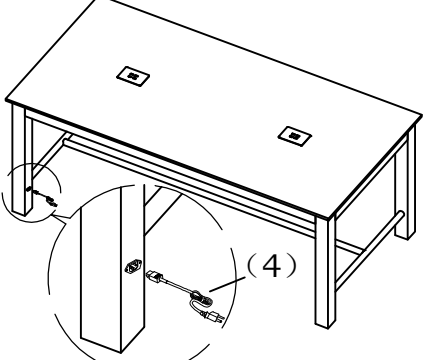
II



III



IV



For missing parts or damaged parts, please call

USA : 1-866-798-6663
 Canada : 514-382-6661

AI-2-160101