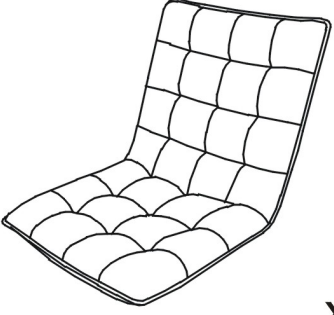
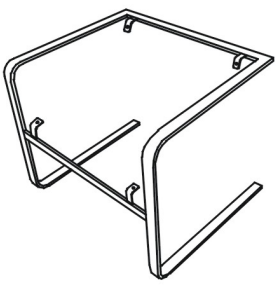




ITEM NAME /NOM D' ITEM:SOLO ARM CHAIR

ITEM # /NO. ITEM:100276 (GRAY)

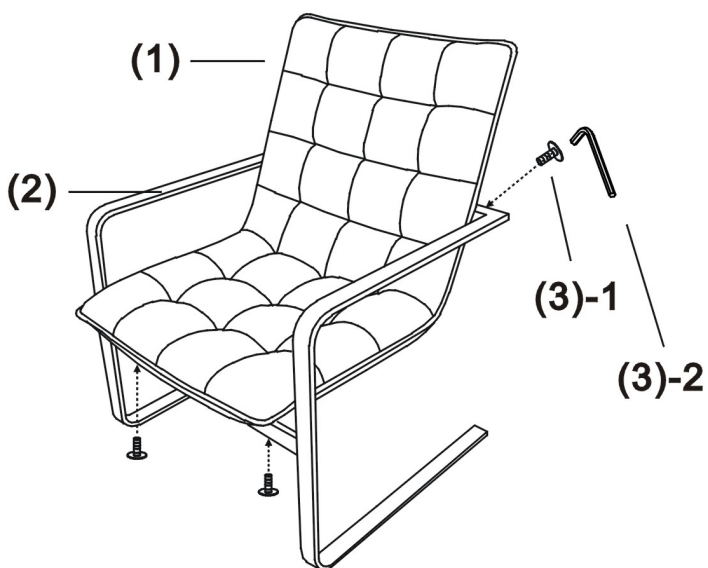
Enquiry:parts@zuomod.com

PART LIST/Liste des pièces

(1)	(2)	(3)
 X1	 X1	1.  X4 M6*20mm 2.  X1

INSTRUCTION

A



B

