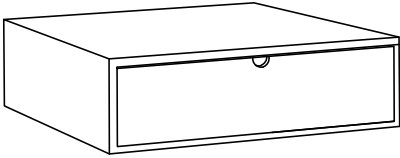
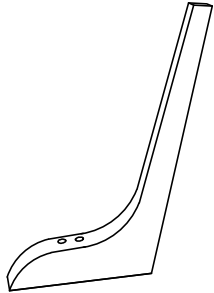






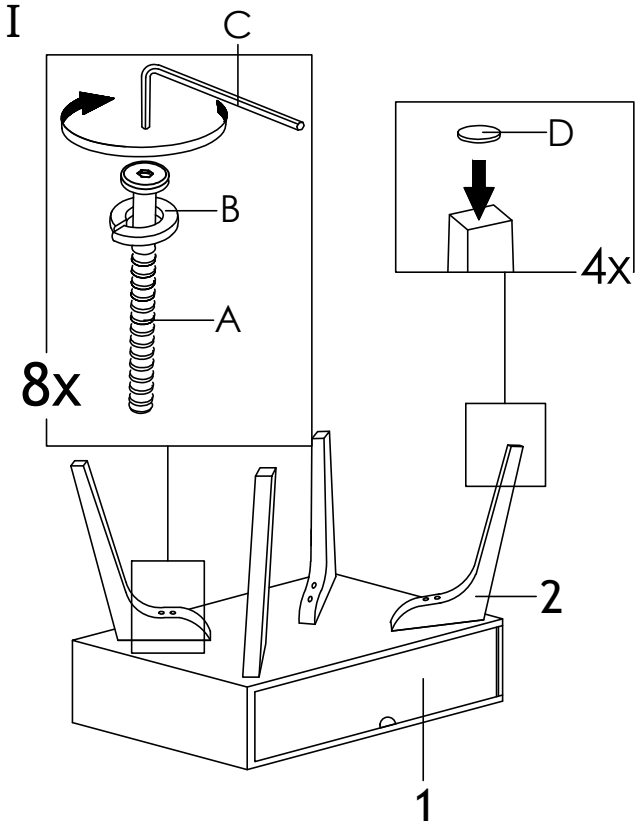
**ITEM NAME/NOM D'ITEM: PADRE SIDE TABLE**  
**ITEM #/NO.ITEM : 100149**

**PARTS LIST/LISTE DES PIÈCES**

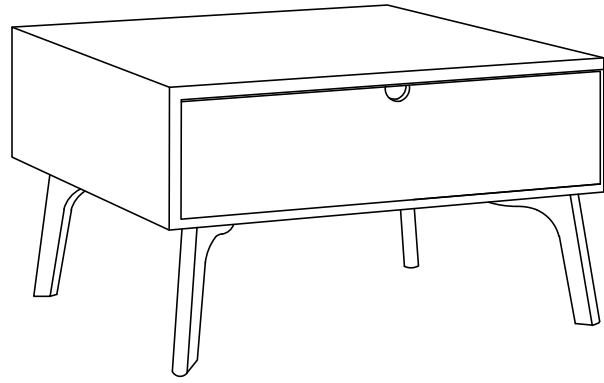
| (1)  | (2)  | (3)   |
|--|--|---|
|  <p style="text-align: right;">x1</p> |  <p style="text-align: right;">x4</p> | <p>A.  M6 x 35mm x8</p> <p>B.  Ø6mm x8</p> <p>C.  4mm x1</p> <p>D.  22mm x4</p> |

**ASSEMBLY INSTRUCTIONS/INSTRUCTIONS D'ASSEMBLAGE**

**I**



**II**



For missing parts or damaged parts, please call

USA : 1-866-798-6663  
 CANADA : 514-382-6661